



Product Catalogue

Trane® Chilled Water Fan & Coil Units

FWC 003-015 - 4-way Cassette Units

FWH 002-006 - High Wall Units



Copyright

© 2012 Trane All rights reserved

This document and the information in it are the property of Trane and may not be used or reproduced in whole or in part, without the written permission of Trane. Trane reserves the right to revise this publication at any time and to make changes to its content without obligation to notify any person of such revision or change.

Trademarks

Trane and its logo are trademarks of Trane in the United States and other countries. All trademarks referenced in this document are the trademarks of their respective owners.

Warnings, Cautions, and Notices

Warnings, cautions, and notices are provided in appropriate places throughout this document:

⚠ WARNING: Indicates a potentially hazardous situation which, if not avoided, could result in death or serious injury.

⚠ CAUTION: Indicates a potentially hazardous situation which, if not avoided, could result in minor or moderate injury. It could also be used to alert against unsafe practices.

NOTICE: Indicates a situation that could result in equipment or property-damage-only accidents.

Content

- Content 3
- Nomenclature 5
- Features and Benefits 6
 - Cassette units: 6
 - High Wall units: 6
- General Data 7
- Dimensions and Specifications 11
- Electrical & Controls..18
- Capacity Tables22



Content

Nomenclature

F	W	C	0	0	3	2	N	1	A	A	L
1	2	3	4	5	6	7	8	9	10	11	12

Digit 1-3: Nomenclature

FWC = Chilled Water Cassette Unit (4-Way)
FWH = Chilled Water High Wall Unit

Digit 4-6: Normal Air Flow CFM

002 = 250 CFM
003 = 300 CFM
004 = 400 CFM
005 = 500 CFM
006 = 600 CFM
008 = 750 CFM
009 = 850 CFM
010 = 950 CFM
012 = 1200 CFM
015 = 1500 CFM

Digit 7: Unit Type

2 = 2 Pipe

Digit 8: Electric Heater

N = None

Digit 9: Voltage/Phase/Hertz

B = 220-240V/1Ph/50Hz
1 = 220-240V/1Ph/60Hz

Digit 10: Thermostat Options

A = Wireless Remote Controller
B = Wired Wall Controller

Digit 11: Service Code

A = Version A

Digit 12: Region

L = LAR

Features and Benefits

Trane chilled water fan coil units are designed and manufactured on the base of advanced technology and materials. Their supper-thin design has the advantages of aesthetic outlook, space saving and easy installation. With the large airflow volume design, these models can increase room ventilation frequency and balance room temperature distribution. The cassette fan & coil units also have a fresh air intake that allows improvement in indoor air quality. It can be widely applied in hotel, office, hospital and airport, etc.

Cassette units:

- ·Four ways air discharge and swing blades for better air diffusion
- ·Elegant appearance matches architecture design
- ·Ultra-thin design of 230 mm (FWC 006-008 models)
- ·Internal drain pump for suction and drain out of condensate water
- ·Light weight and easy installation
- ·Wired or wireless controller

High Wall units:

- ·New stylish design
- ·Low noise level
- ·Built-in 3-way valve
- ·Light weight and easy installation
- ·Wired or wireless controller

General Data

4-Way Cassette Units - 003, 004, 006 (50 and 60Hz)

4-way cassette units

		FWC		003	004	005
Air volume	High	CFM		300	400	500
	Med	CFM		260	340	430
	Low	CFM		210	280	350
Cooling Capacity		W		3000	3700	4500
Heating Capacity		W		4000	5100	6000
Electrical Auxiliary Heater (EAH)		W		1000	1000	1000
Power Input		W		50	70	95
Noise (Hi/Med/Lo)		dB(A)		36/33/28	42/39/32	45/42/34
Water Flow		l/min		8.7	10.7	12.9
Water Pressure Drop		kPa		14	15	16
Panel	Net Dimension (W×H×D)	mm		647×50×647		
	Net Weight	kg		3		
	Packing Size (W×H×D)	mm		715×123×715		
	Gross Weight	kg		5		
Indoor Unit	Net Dimension (W×H×D)	mm		575×261×575		
	Net Weight (with EAH)	kg		17.5		
	Packing Size (W×H×D)	mm		655×290×655		
	Gross Weight	kg		21.5		
Pipe Connection	Water-inlet pipe	Inch		RC3/4"		
	Water-outlet pipe	Inch		RC3/4"		
	Drain pipe	mm		ODΦ25		

Notes:

1. The data is the performance in high speed with relevant static pressure.
2. Cooling Conditions: Entering water 7°C, temperature rise 5°C, entering air 27°C DB/19°CWB.
Heating Conditions: Entering water 50°C, entering air 20°C, same water flow as cooling conditions.
3. Noise is tested in full-anechoic test room.

General Data
4-Way Cassette Units - 006, 008, 009 (50 and 60 Hz)

	FWC		006	008	009	
Air Volume	High	CFM	590	740	820	
	Med	CFM	500	620	700	
	Low	CFM	420	530	590	
Cooling Capacity		W	5700	7000	7270	
Heating Capacity		W	9660	11550	12420	
Electrical Auxiliary Heater (EAH)		W	2100	2100	2850	
Power Input		W	125	130	150	
Noise (Hi/Med/Lo)		dB(A)	45/41/36	46/42/37	47/43/38	
Water Flow		l/min	16.4	20	20.8	
Water Pressure Drop		kPa	23.8	25.2	27	
Panel	Net Dimension (W×H×D)		mm			
			950×45×950			
	Net Weight		kg			
			6			
Packing Size (W×H×D)		mm				
		1035×90×1035				
Gross Weight		kg				
		9				
Indoor Unit	Net Dimension (W×H×D)		mm	840×230×840	840×230×840	840×300×840
	Net Weight (without/with EAH)		kg	25/27	25/27	30.5/33
	Packing Size (W×H×D)		mm	900×237×900	900×237×900	900×307×900
	Gross Weight (without/with EAH)		kg	30/32	30/32	36.2/39
Pipe Connection	Water-inlet pipe		Inch	RC3/4"		
	Water-outlet pipe		Inch	RC3/4"		
	Drain pipe		mm	ODΦ32		

Notes:

- The data is the performance in high speed with relevant static pressure.
- Cooling Conditions: Entering water 7°C, temperature rise 5°C, entering air 27°C DB/19°CWB.
Heating Conditions: Entering water 50°C, entering air 20°C, same water flow as cooling conditions.
- Noise is tested in full-anechoic test room.

4-Way Cassette Units - 010, 012, 015 (50 and 60 Hz)

FWC		010	012	015		
Air Volume	High	CFM	940	1180	1500	
	Med	CFM	800	1000	1280	
	Low	CFM	680	850	1080	
Cooling Capacity		W	8220	10390	12900	
Heating Capacity		W	13850	17580	17600	
Electrical Auxiliary Heater (EAH)		W	2850	2850	/	
Power Input		W	155	190	190	
Noise (Hi/Med/Lo)		dB(A)	48/44/39	49/45/40	50/46/41	
Water Flow		l/min	23.6	29.8	36.9	
Water Pressure Drop		kPa	31.2	44	40	
Panel	Net Dimension (W×H×D)		mm	950×45×950		
	Net Weight		kg	6		
	Packing Size (W×H×D)		mm	1035×90×1035		
	Gross Weight		kg	9		
Indoor Unit	Net Dimension (W×H×D)		mm	840×300×840		
	Net Weight (without/with EAH)		kg	30.5/33	30.5/33	35
	Packing Size (W×H×D)		mm	900×307×900		
	Gross Weight (without/with EAH)		kg	36.2/39	36.2/39	41
Pipe Connection	Water-inlet pipe		Inch	RC3/4"		
	Water-outlet pipe		Inch	RC3/4"		
	Drain pipe		mm	ODΦ32		

Notes:

1. The data is the performance in high speed with relevant static pressure.
2. Cooling Conditions: Entering water 7°C, temperature rise 5°C, entering air 27°C DB/19°CWB.
Heating Conditions: Entering water 50°C, entering air 20°C, same water flow as cooling conditions.
3. Noise is tested in full-anechoic test room.

General Data

High Wall Units - 002, 003, 004, 005, 006 (50 and 60 Hz)

High wall units

	FWH		002	003	004	005	006
Air Volume	High	CFM	250	300	400	500	600
	Med	CFM	210	250	340	420	510
	Low	CFM	190	220	300	380	450
	Cooling Capacity	W	2200	2640	3080	4070	4450
	Heating Capacity	W	3020	3690	4340	5690	6300
	Power Input	W	28	40	44	50	60
	Noise (Hi/Med/Lo)	dB(A)	30/24/20	35/29/24	37/31/26	39/33/28	40/34/29
	Water Flow	l/min	6.3	7.6	8.8	11.7	12.8
	Water Pressure Drop	kPa	10	16.4	20.8	25.1	27.9
Body	Net Dimension (W×H×D)	mm	915×210×290			1070×210×316	
	Net Weight	kg	12			15	
	Packing Size (W×H×D)	mm	1020×300×385			1180×300×410	
	Gross Weight	kg	16			19	
Pipe Connection	Water-inlet pipe	Inch				G3/4"	
	Water-outlet pipe	Inch				G3/4"	
	Drain pipe	mm				ODΦ20	

Notes:

- The data is the performance in high speed with relevant static pressure.
- Cooling Conditions: Entering water 7°C, temperature rise 5°C, entering air 27°C DB/19°CWB.
Heating Conditions: Entering water 50°C, entering air 20°C, same water flow as cooling conditions.
- Noise is tested in full-anechoic test room.

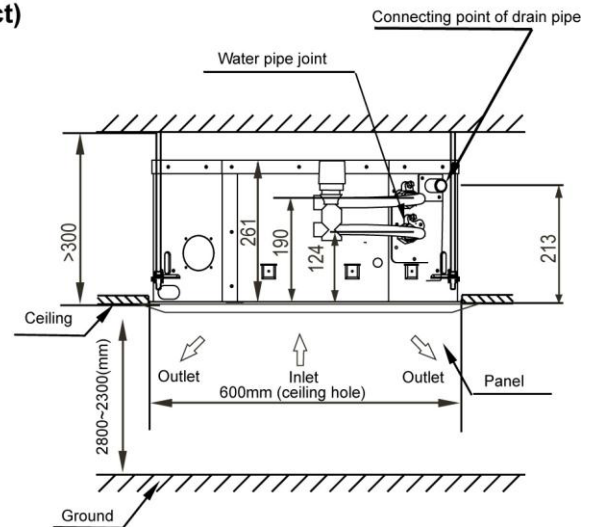
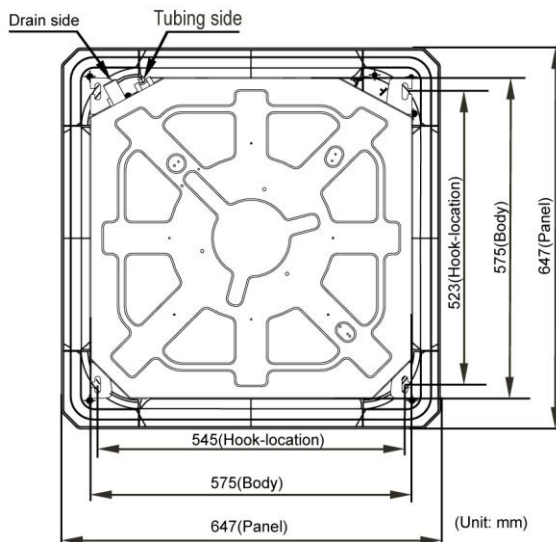
Dimensions and Specifications

Dimension (50Hz & 60Hz)

FWC003~005

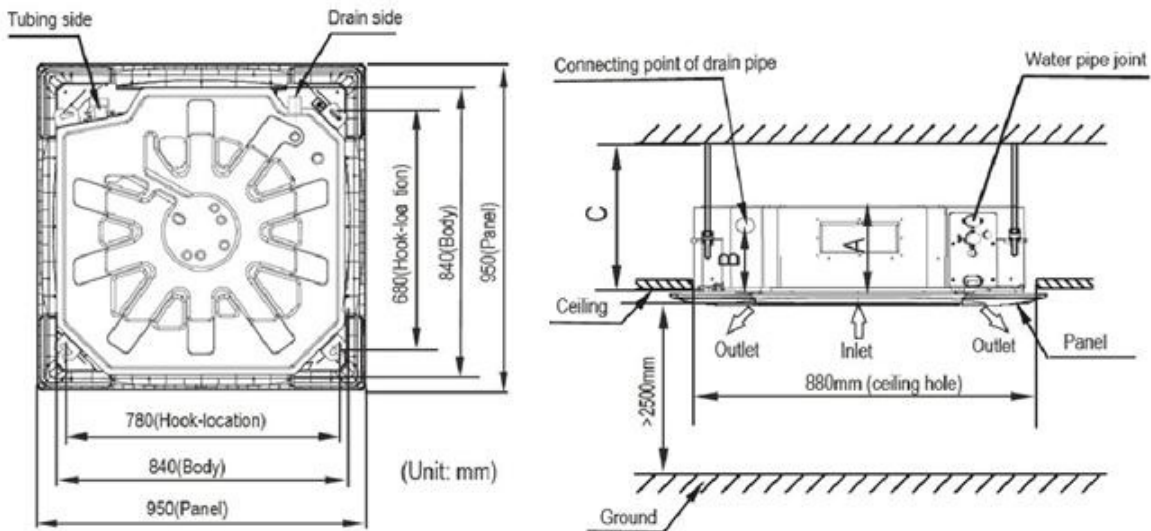


**Four-way Cassette
(compact)**



Dimensions and Specifications

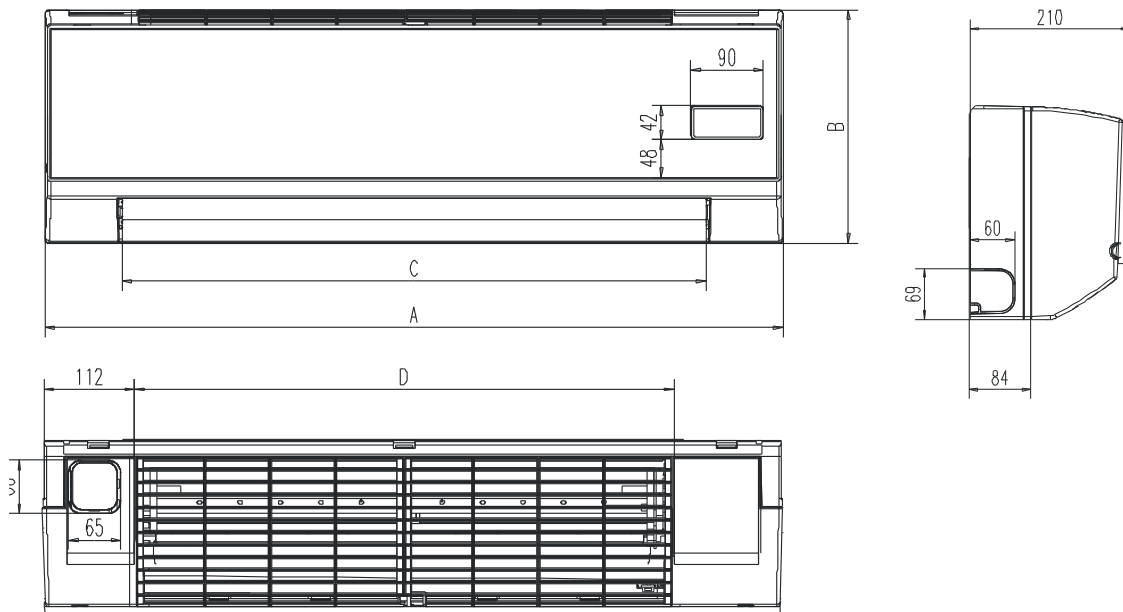
FWC006~015



Model [↕]	A [↕]	B [↕]	C [↕]
600CFM, 750CFM [↕]	230 [↕]	170 [↕]	>260 [↕]
850CFM, 950CFM, 1200CFM, 1500CFM [↕]	300 [↕]	190 [↕]	>330 [↕]

Dimensions and Specifications

FWH002~006



Model	FWH002	FWH003	FWH004	FWH005	FWH006
A	915	915	915	1070	1070
B	290	290	290	315	315
C	725	725	725	885	885
D	670	670	670	815	815

Dimensions and Specifications

Performance Factors

Cooling Capacity modification coefficient table

4-way cassette units

Speed	FWC003		FWC004		FWC005		FWC006		FWC008		FWC009		FWC010		FWC012		FWC015		
	TC	SC	TC	SC	TC	SC	TC	SC	TC	SC	TC	SC	TC	SC	TC	SC	TC	SC	
High	1	1	1	1	1	1	1	1	1	1	1	1	1	1	1	1	1	1	1
Mid	0.86	0.82	0.86	0.81	0.8	0.76	0.83	0.8	0.8	0.78	0.89	0.85	0.9	0.85	0.89	0.85	0.89	0.84	0.84
Low	0.72	0.7	0.72	0.69	0.68	0.64	0.69	0.65	0.67	0.64	0.79	0.75	0.8	0.75	0.79	0.74	0.79	0.74	0.74

High wall units

Speed	FWH002		FWH003		FWH004		FWH005		FWH006	
	TC	SC	TC	SC	TC	SC	TC	SC	TC	SC
High	1	1	1	1	1	1	1	1	1	1
Mid	0.84	0.81	0.85	0.82	0.85	0.83	0.92	0.88	0.94	0.9
Low	0.75	0.72	0.78	0.75	0.74	0.71	0.8	0.77	0.84	0.81

Heating Capacity modification coefficient table

4-way cassette units

Speed	FWC003	FWC004	FWC005	FWC006	FWC008	FWC009	FWC010	FWC012	FWC015
	TH	TH	TH	TH	TH	TH	TH	TH	TH
High	1	1	1	1	1	1	1	1	1
Mid	0.86	0.84	0.79	0.79	0.78	0.79	0.8	0.78	0.79
Low	0.77	0.75	0.68	0.64	0.65	0.63	0.65	0.64	0.66

High wall units

Speed	FWH002	FWH003	FWH004	FWH005	FWH006
	TH	TH	TH	TH	TH
High	1	1	1	1	1
Mid	0.86	0.88	0.89	0.9	0.9
Low	0.74	0.75	0.75	0.76	0.75

Altitude modification coefficient table (For 4-way cassette & High wall units)

Altitude	TC	SC	TH
500	0.98	0.95	0.95
1000	0.97	0.91	0.91
1500	0.95	0.86	0.86
2000	0.94	0.82	0.82
2500	0.93	0.78	0.78
3000	0.91	0.74	0.7

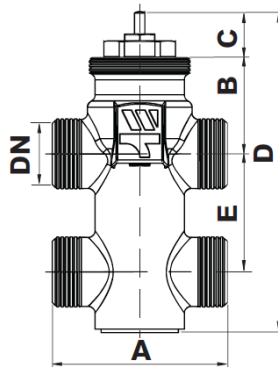
Water Valves

High Wall (FWH) models come standard with a 3-way valve with a built-in bypass. On the other hand, Cassette units (FWC) do not come with a standard valve; this one has to be ordered separately. The valve that is built-in the High Wall (FWH) models is the following:



3-way Valve 4-Port				Used as Diverter Valve				Used as Mixing Valve			
Models	DN Inches	DN mm	Max. operation pressure PN [bar]	Kvs	Kv by-pass	Max. differential operation pressure. (noise < 38 dBA) [bar]	Delta Ps Close off with actuator 22C NO/NC [bar]	Kvs	Kv by-pass	Max. differential operation pressure. (noise < 38 dBA) [bar]	Delta Ps Close off with actuator 22C NO/NC [bar]
FWH002 - 04	1/2"	15	16	1,7	1,3	0,8	2,5	1,7	1,2	0,7	2
FWH005 - 06	3/4"	20	16	2,8	1,8	0,7	1,5	2,5	1,6	0,5	1

- ☒ KVs = nominal value of the flow in the main way of the valve in m3/h with the valve fully open at a pressure of 1 bar and with water temperature at 20 °C
- ☒ Delta Pmax = maximum dynamic differential pressure at the ends of the fully open valve, without risk of noise (< 38 dBA)
- ☒ Delta Ps= maximum static differential pressure at the ends of the valve against which the valve is able to be opened (through its internal spring for the three-way versions; through the actuator for the two-way versions)

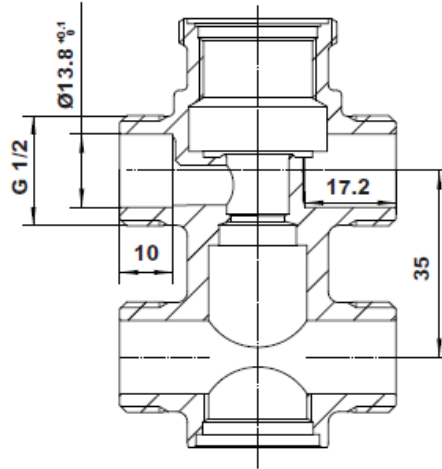


Models	DN	A	B	C	D	E
FWH002 - 04	1/2"	52	29	13.5	95.5	35
FWH005 - 06	3/4"	56	28	13.5	112.5	50

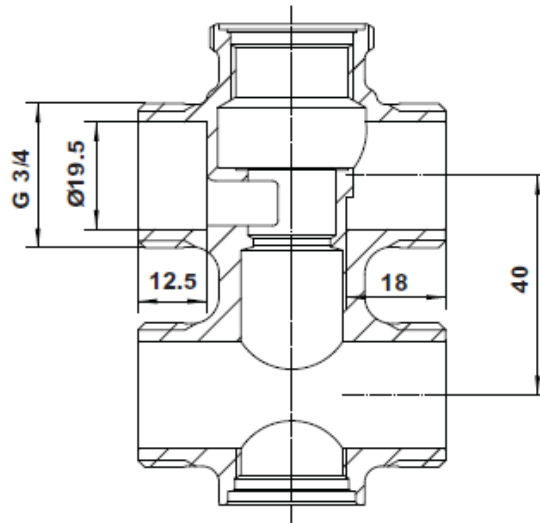
- ☒ The thread of this High Wall valve is BSP and male.

Dimensions and Specifications

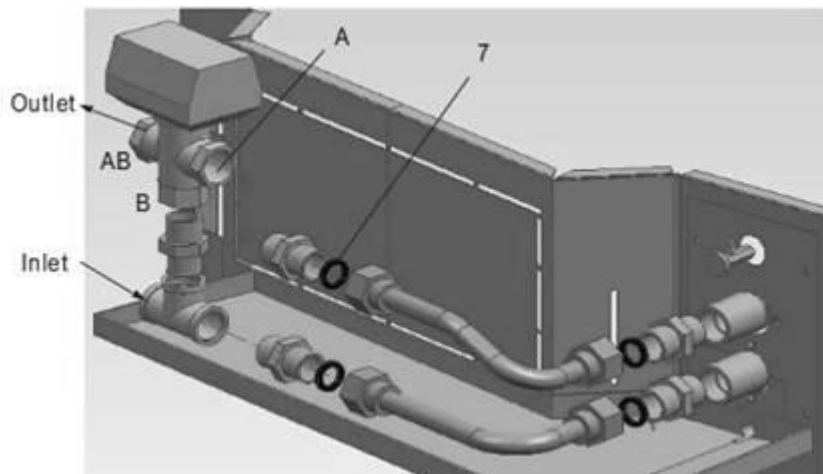
FWH 002 – 004



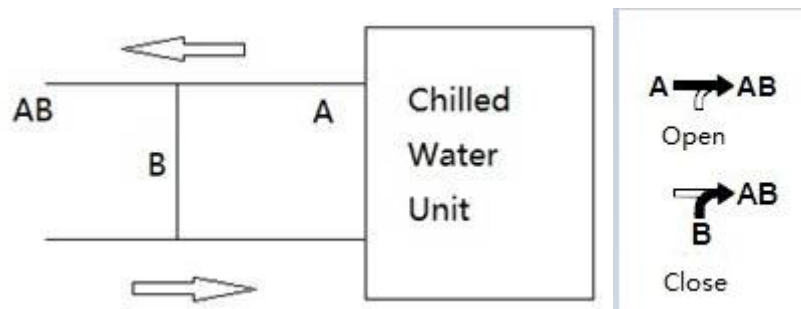
FWH 005 – 006



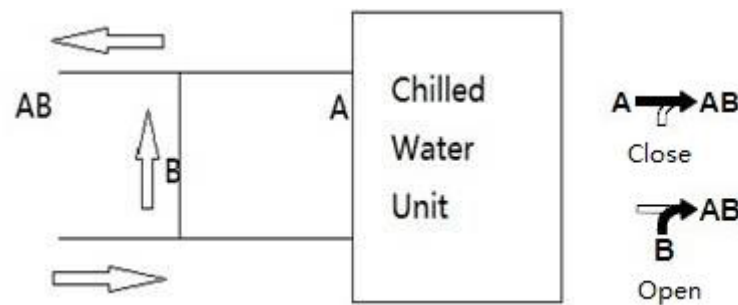
The water flow of through High Wall units is shown below:



☒ When the high wall chilled water unit is working:



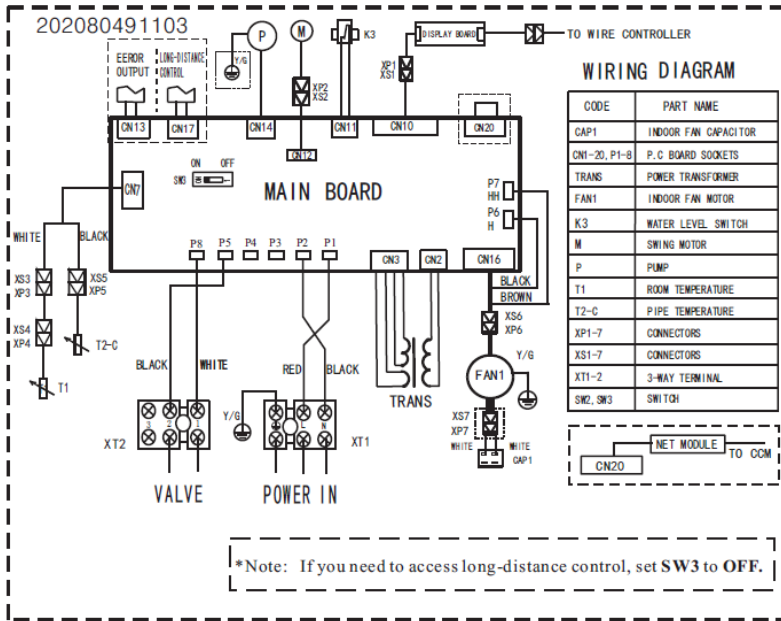
☒ When the high wall chilled water unit is NOT working:



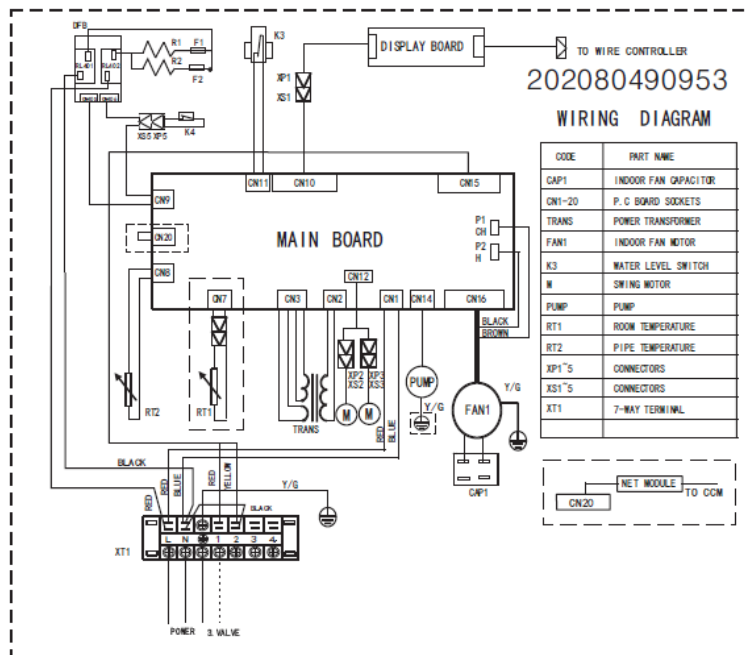
Electrical and Controls

Wiring Diagram (50Hz & 60Hz)

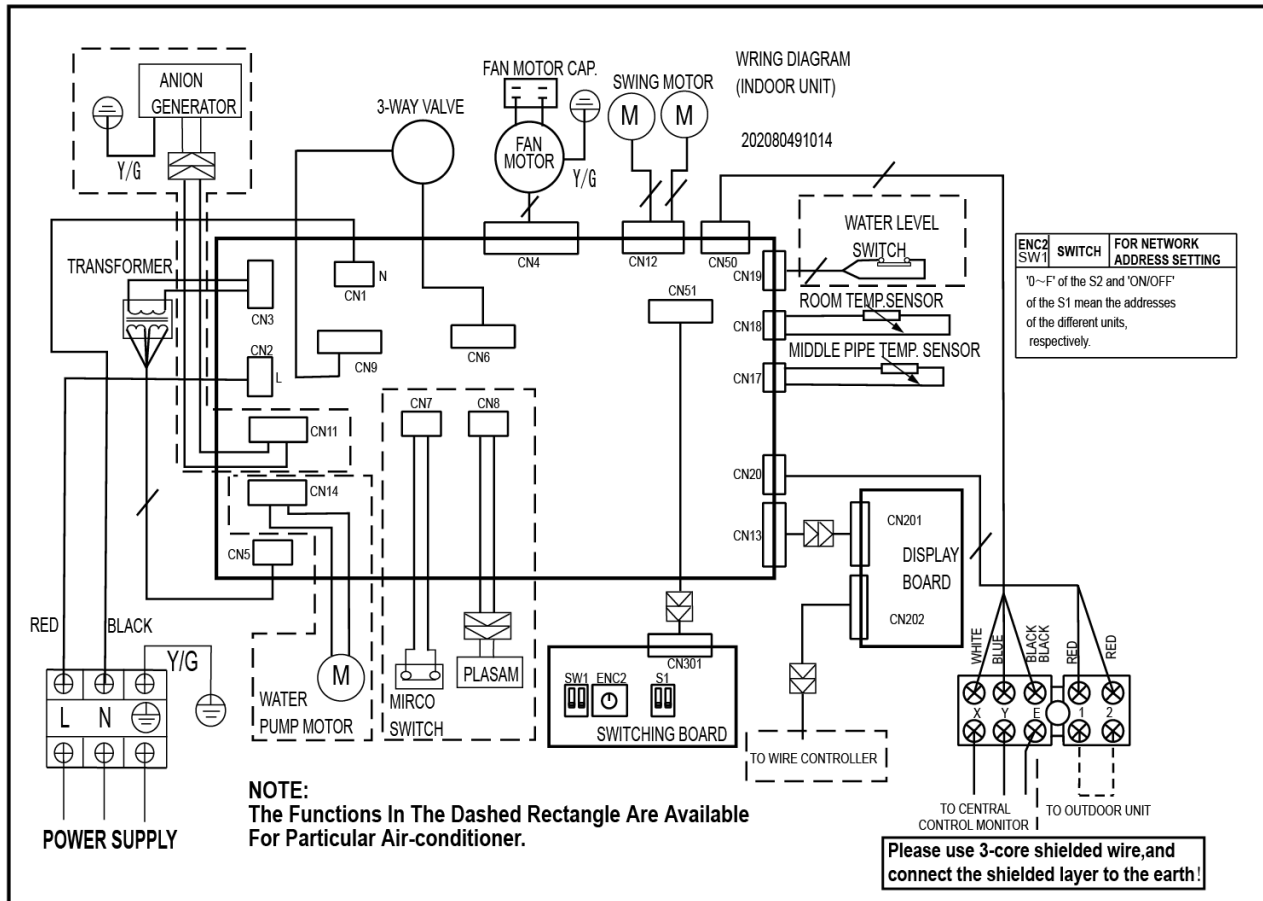
FWC003~005



FWC006~015



FWH002~006



Controllers

Wired Controller



- ☒ Working Voltage: DC5V.
- ☒ Working Environment:
 - Temperature: -15~43°C
 - Relative Humidity: 40%~90%.
 - Temperature Controlling Range: 17~30°C.
 - Temperature Controlling Precision: ±1°C.
- ☒ Big LCD display screen.
- ☒ Mode setting: auto/cool/heat/dry/fan.
- ☒ Fan speed selection: auto/high/medium/low.
- ☒ Economic operation mode/time setting/temp. setting.
- ☒ ON/OFF mode setting.

Wireless Remote Controller



- ☒ Mode selection: Auto, Cool, Dry, Heat, Fan only
- ☒ Temp. setting range: 17 °C to 30 °C
- ☒ Daily Timer setting
- ☒ Louver swing
- ☒ Fan speed control: H/M/L/Auto
- ☒ Economic operation button

Capacity Tables

Capacity Tables (Cooling & Heating) (50Hz & 60Hz)

Cooling Capacity:

Remark: EWT: Enter Water Temp. (°C); Δt: Temperature Difference (°C)
 DB: Dry Bulb Temp. (°C); WB: Wet Bulb Temp. (°C);
 TC: Total Cooling Capacity (kW); SC: Sensible Cooling Capacity (kW);
 WF: Water Flow (m³/h); WPD: Water Pressure Drop (kPa)

FWC003																					
E W T	Δt	Air inlet condition																			
		DB:26.7 WB:19.4				DB:27 WB:18				DB:27 WB:19				DB:27 WB:20				DB:29 WB:21			
		TC	SC	W F	W PD	TC	SC	W F	W PD	TC	SC	W F	W PD	TC	SC	W F	W PD	TC	SC	W F	W PD
5	3	3.82	2.3	1.1	63.1	3.51	2.53	1.01	53.1	3.74	2.4	1.07	60.6	3.96	2.3	1.14	67.8	4.18	2.19	1.2	75.6
	4	3.68	2.23	0.79	32.8	3.38	2.45	0.73	27.7	3.61	2.33	0.78	31.8	3.83	2.23	0.82	35.6	4.02	2.12	0.86	39.2
	5	3.52	2.16	0.6	19.2	3.22	2.4	0.55	16.1	3.45	2.26	0.59	18.5	3.68	2.15	0.63	21	3.86	3.34	0.66	23.2
	6	3.36	2.1	0.48	12.2	3.06	2.32	0.44	10.1	3.29	2.18	0.47	11.7	3.52	2.07	0.51	13.4	3.69	1.97	0.53	14.7
	7	3.19	2	0.39	8.1	2.89	2.26	0.36	6.6	3.12	2.11	0.38	7.7	3.35	2	0.41	8.9	3.54	1.89	0.43	9.9
6	3	3.61	2.21	1.03	56.2	3.29	2.44	0.94	46.7	3.52	2.31	1.01	53.7	3.75	2.2	1.08	60.9	3.97	2.1	1.14	68.1
	4	3.46	2.13	0.74	29.2	3.14	2.36	0.67	23.9	3.38	2.23	0.73	27.8	3.61	2.13	0.78	31.6	3.81	2.03	0.82	35.3
	5	3.29	2.06	0.57	16.9	3	2.29	0.52	14	3.23	2.16	0.56	16.2	3.44	2.04	0.59	18.4	3.66	1.95	0.63	20.8
	6	3.14	2	0.45	10.6	2.84	2.22	0.41	8.7	3.06	2.08	0.44	10.2	3.29	1.96	0.47	11.7	3.48	1.86	0.5	13.1
	7	2.97	1.9	0.37	7	2.66	2.16	0.33	5.6	2.9	2.03	0.36	6.7	3.11	1.9	0.38	7.7	3.32	1.78	0.41	8.8
7	3	3.37	2.1	0.97	49	3.06	2.34	0.88	40.4	3.29	2.21	0.94	46.9	3.54	2.1	1.01	54.1	3.74	1.99	1.07	60.3
	4	3.23	2.03	0.69	25.4	2.9	2.29	0.62	20.4	3.14	2.14	0.68	24	3.38	2.03	0.73	27.7	3.59	1.93	0.77	31.3
	5	3.06	1.96	0.53	14.6	2.75	2.22	0.47	11.8	3	2.06	0.52	14	3.22	1.94	0.55	16.1	3.42	1.85	0.59	18.2
	6	2.9	1.9	0.42	9.1	2.59	2.15	0.37	7.2	2.85	1.99	0.41	8.8	3.07	1.87	0.44	10.2	3.26	1.77	0.47	11.5
	7	2.75	1.81	0.34	6	2.42	2.07	0.3	4.6	2.66	1.93	0.33	5.6	2.89	1.81	0.35	6.6	3.09	1.69	0.38	7.6
8	3	3.14	2.01	0.9	42.6	2.8	2.26	0.8	33.9	3.06	2.11	0.88	40.6	3.3	1.99	0.95	47	3.51	1.88	1.01	53.3
	4	3	1.94	0.65	21.9	2.66	2.19	0.57	17.2	2.91	2.06	0.63	20.6	3.14	1.93	0.67	23.9	3.34	1.83	0.72	27.2
	5	2.85	1.86	0.49	12.6	2.5	2.12	0.43	9.7	2.76	1.97	0.48	11.9	3	1.86	0.52	14	3.2	1.75	0.55	15.9
	6	2.66	1.81	0.38	7.7	2.34	2.06	0.34	5.9	2.61	1.9	0.37	7.4	2.84	1.77	0.41	8.7	3.04	1.67	0.44	10
	7	2.51	1.72	0.31	5	2.17	1.98	0.27	3.7	2.43	1.84	0.3	4.7	2.66	1.71	0.33	5.6	2.84	1.6	0.35	6.4
9	3	2.92	1.92	0.84	36.8	2.57	2.17	0.74	28.5	2.84	2.02	0.81	34.7	3.08	1.89	0.88	40.9	3.28	1.79	0.94	46.4
	4	2.75	1.85	0.59	18.4	2.42	2.11	0.52	14.2	2.67	1.96	0.57	17.3	2.9	1.84	0.62	20.5	3.11	1.73	0.67	23.5
	5	2.61	1.77	0.45	10.6	2.23	2.06	0.38	7.8	2.52	1.89	0.43	9.9	2.75	1.76	0.47	11.8	2.96	1.65	0.51	13.6
	6	2.43	1.71	0.35	6.4	2.06	2	0.3	4.6	2.35	1.83	0.34	6	2.6	1.68	0.37	7.3	2.8	1.57	0.4	8.5
	7	2.25	1.63	0.28	4	1.93	1.93	0.24	3	2.17	1.75	0.27	3.8	2.41	1.63	0.3	4.6	2.61	1.5	0.32	5.4
10	3	2.68	1.82	0.77	30.9	2.3	2.09	0.66	22.9	2.57	1.94	0.74	28.5	2.83	1.81	0.81	34.5	3.05	1.7	0.87	40.1
	4	2.51	1.75	0.54	15.3	2.13	2.05	0.46	11	2.42	1.88	0.52	14.3	2.67	1.74	0.57	17.3	2.87	1.63	0.62	20
	5	2.35	1.7	0.4	8.6	2	2	0.34	6.2	2.25	1.82	0.39	7.9	2.5	1.68	0.43	9.7	2.72	1.56	0.47	11.5
	6	2.19	1.62	0.31	5.2	1.89	1.89	0.27	3.9	2.09	1.75	0.3	4.7	2.34	1.58	0.34	5.9	2.54	1.48	0.36	7
	7	2	1.55	0.25	3.2	1.78	1.78	0.22	2.5	1.9	1.68	0.23	2.9	2.14	1.54	0.26	3.6	2.38	1.41	0.29	4.5

FWC0'03 (continued)

11	3	2.42	1.74	0.69	25.2	2.05	2.05	0.59	18.1	2.33	1.85	0.67	23.4	2.57	1.73	0.74	28.6	2.8	1.61	0.8	33.9
	4	2.26	1.68	0.49	12.5	1.95	1.95	0.42	9.2	2.17	1.78	0.47	11.5	2.42	1.65	0.52	14.2	2.65	1.54	0.57	17
	5	2.09	1.61	0.36	6.8	1.85	1.85	0.32	5.3	2	1.74	0.34	6.2	2.25	1.58	0.39	7.9	2.47	1.47	0.43	9.5
	6	1.9	1.55	0.27	3.9	1.74	1.74	0.25	3.3	1.83	1.66	0.26	3.6	2.08	1.53	0.3	4.7	2.29	1.39	0.33	5.7
	7	1.7	1.49	0.21	2.3	1.64	1.64	0.2	2.1	1.64	1.64	0.2	2.1	1.88	1.45	0.23	2.8	2.11	1.31	0.26	3.5
12	3	2.16	1.66	0.62	20.2	1.9	1.9	0.54	15.5	2.06	1.79	0.59	18.3	2.33	1.63	0.67	23.4	2.55	1.52	0.73	28
	4	2	1.6	0.43	9.7	1.81	1.81	0.39	7.9	1.9	1.73	0.41	8.8	2.16	1.57	0.47	11.4	2.39	1.45	0.51	13.9
	5	1.83	1.55	0.31	5.2	1.73	1.73	0.3	4.6	1.73	1.67	0.3	4.7	2	1.52	0.34	6.2	2.22	1.39	0.38	7.7
	6	1.62	1.49	0.23	2.9	1.61	1.61	0.23	2.8	1.61	1.58	0.23	2.8	1.81	1.45	0.26	3.5	2.03	1.31	0.29	4.5
	7	1.44	1.44	0.18	1.6	1.49	1.49	0.18	1.8	1.48	1.48	0.18	1.7	1.58	1.38	0.19	2	1.85	1.23	0.23	2.7
13	3	1.89	1.58	0.54	15.4	1.75	1.75	0.5	13.2	1.78	1.72	0.51	13.7	2.05	1.55	0.59	18.2	2.29	1.43	0.66	22.8
	4	1.73	1.52	0.37	7.3	1.67	1.67	0.36	6.8	1.67	1.64	0.36	6.8	1.89	1.52	0.41	8.7	2.13	1.36	0.46	11
	5	1.54	1.51	0.27	3.7	1.55	1.55	0.27	3.8	1.56	1.56	0.27	3.8	1.72	1.44	0.3	4.6	1.96	1.3	0.34	6
	6	1.4	1.4	0.2	2.1	1.45	1.45	0.21	2.3	1.45	1.45	0.21	2.3	1.52	1.39	0.22	2.5	1.77	1.23	0.25	3.4
	7	1.28	1.28	0.16	1.3	1.33	1.33	0.16	1.4	1.33	1.33	0.16	1.4	1.33	1.3	0.16	1.4	1.55	1.16	0.19	1.9

Capacity Tables

FWC004																					
E W T	Δt	Air inlet condition																			
		DB:26.7 WB:19.4				DB:27 WB:18				DB:27 WB:19				DB:27 WB:20				DB:29 WB:21			
		TC	SC	W F	W PD	TC	SC	W F	W PD	TC	SC	W F	W PD	TC	SC	W F	W PD	TC	SC	W F	W PD
5	3	4.71	2.84	1.35	67.7	4.32	3.12	1.24	56.9	4.62	2.96	1.32	64.9	4.89	2.84	1.4	72.6	5.16	2.71	1.48	81
	4	4.53	2.75	0.97	35.2	4.16	3.03	0.9	29.7	4.46	2.88	0.96	34	4.72	2.75	1.01	38.1	4.95	2.62	1.07	42
	5	4.34	2.66	0.75	20.6	3.97	2.96	0.68	17.2	4.25	2.79	0.73	19.8	4.53	2.65	0.78	22.5	4.76	4.12	0.82	24.9
	6	4.14	2.58	0.59	13.1	3.77	2.86	0.54	10.8	4.06	2.69	0.58	12.6	4.35	2.55	0.62	14.4	4.55	2.42	0.65	15.8
	7	3.94	2.46	0.48	8.7	3.57	2.79	0.44	7.1	3.85	2.6	0.47	8.3	4.13	2.46	0.51	9.6	4.36	2.33	0.54	10.6
6	3	4.45	2.73	1.27	60.2	4.05	3.01	1.16	50	4.35	2.85	1.25	57.5	4.63	2.71	1.33	65.2	4.9	2.58	1.4	73
	4	4.27	2.63	0.92	31.2	3.87	2.91	0.83	25.7	4.17	2.75	0.9	29.8	4.45	2.63	0.96	33.9	4.7	2.5	1.01	37.8
	5	4.06	2.54	0.7	18.1	3.69	2.83	0.64	15	3.98	2.67	0.69	17.4	4.24	2.51	0.73	19.7	4.51	2.4	0.78	22.3
	6	3.87	2.46	0.55	11.4	3.5	2.73	0.5	9.3	3.78	2.57	0.54	10.9	4.06	2.42	0.58	12.6	4.29	2.3	0.61	14
	7	3.67	2.35	0.45	7.5	3.28	2.66	0.4	6	3.58	2.5	0.44	7.2	3.83	2.34	0.47	8.2	4.1	2.2	0.5	9.4
7	3	4.15	2.59	1.19	52.5	3.77	2.89	1.08	43.2	4.06	2.73	1.16	50.2	4.36	2.59	1.25	57.9	4.61	2.46	1.32	64.6
	4	3.98	2.5	0.86	27.2	3.57	2.82	0.77	21.8	3.88	2.64	0.83	25.7	4.16	2.5	0.9	29.7	4.43	2.38	0.95	33.5
	5	3.78	2.41	0.65	15.7	3.39	2.73	0.58	12.6	3.7	2.55	0.64	15	3.97	2.39	0.68	17.2	4.21	2.28	0.72	19.4
	6	3.58	2.34	0.51	9.8	3.19	2.65	0.46	7.8	3.52	2.46	0.5	9.4	3.79	2.3	0.54	10.9	4.02	2.18	0.58	12.3
	7	3.39	2.24	0.42	6.4	2.98	2.55	0.37	5	3.28	2.38	0.4	6	3.56	2.23	0.44	7.1	3.81	2.09	0.47	8.1
8	3	3.87	2.48	1.11	45.6	3.45	2.79	0.99	36.3	3.78	2.6	1.08	43.5	4.07	2.46	1.17	50.4	4.33	2.32	1.24	57.1
	4	3.7	2.4	0.8	23.4	3.28	2.7	0.71	18.5	3.59	2.54	0.77	22	3.87	2.38	0.83	25.7	4.12	2.25	0.89	29.1
	5	3.51	2.3	0.6	13.5	3.08	2.62	0.53	10.4	3.41	2.43	0.59	12.7	3.69	2.29	0.64	15	3.95	2.16	0.68	17.1
	6	3.28	2.23	0.47	8.2	2.88	2.55	0.41	6.3	3.22	2.35	0.46	7.9	3.5	2.19	0.5	9.3	3.75	2.06	0.54	10.7
	7	3.09	2.12	0.38	5.3	2.67	2.44	0.33	4	3	2.27	0.37	5	3.28	2.1	0.4	6	3.51	1.98	0.43	6.9
9	3	3.6	2.37	1.03	39.4	3.17	2.68	0.91	30.5	3.5	2.49	1	37.2	3.8	2.33	1.09	43.9	4.04	2.21	1.16	49.7
	4	3.4	2.29	0.73	19.7	2.98	2.6	0.64	15.2	3.29	2.41	0.71	18.6	3.58	2.27	0.77	21.9	3.83	2.13	0.82	25.2
	5	3.21	2.19	0.55	11.3	2.75	2.54	0.47	8.3	3.11	2.33	0.54	10.6	3.39	2.17	0.58	12.6	3.65	2.03	0.63	14.6
	6	3	2.11	0.43	6.9	2.55	2.46	0.37	4.9	2.89	2.26	0.41	6.4	3.2	2.07	0.46	7.8	3.45	1.94	0.5	9.1
	7	2.78	2.01	0.34	4.3	2.38	2.38	0.29	3.2	2.68	2.16	0.33	4	2.97	2.01	0.36	4.9	3.21	1.85	0.39	5.8
10	3	3.3	2.25	0.95	33.1	2.84	2.58	0.81	24.6	3.17	2.4	0.91	30.5	3.49	2.24	1	37	3.76	2.09	1.08	43
	4	3.1	2.16	0.67	16.4	2.63	2.53	0.56	11.8	2.99	2.32	0.64	15.3	3.29	2.15	0.71	18.6	3.54	2.01	0.76	21.5
	5	2.89	2.09	0.5	9.2	2.46	2.46	0.42	6.6	2.77	2.24	0.48	8.4	3.09	2.07	0.53	10.4	3.35	1.92	0.58	12.3
	6	2.7	2	0.39	5.5	2.33	2.33	0.33	4.1	2.57	2.16	0.37	5	2.88	1.95	0.41	6.3	3.13	1.83	0.45	7.5
	7	2.46	1.92	0.3	3.4	2.19	2.19	0.27	2.7	2.34	2.08	0.29	3.1	2.64	1.9	0.32	3.9	2.93	1.74	0.36	4.8

FWC004 (cont.)

11	3	2.98	2.15	0.85	27	2.53	2.53	0.72	19.4	2.87	2.29	0.82	25.1	3.17	2.14	0.91	30.6	3.45	1.98	0.99	36.3
	4	2.79	2.07	0.6	13.4	2.4	2.4	0.52	9.9	2.68	2.2	0.58	12.3	2.98	2.03	0.64	15.3	3.26	1.9	0.7	18.2
	5	2.58	1.99	0.44	7.3	2.29	2.29	0.39	5.7	2.46	2.15	0.42	6.6	2.78	1.95	0.48	8.5	3.05	1.81	0.52	10.2
	6	2.35	1.91	0.34	4.2	2.14	2.14	0.31	3.5	2.26	2.05	0.32	3.9	2.56	1.88	0.37	5	2.83	1.72	0.41	6.1
	7	2.09	1.84	0.26	2.5	2.02	2.02	0.25	2.3	2.02	2.02	0.25	2.3	2.32	1.79	0.29	3	2.61	1.62	0.32	3.8
12	3	2.66	2.04	0.76	21.6	2.34	2.34	0.67	16.6	2.54	2.21	0.73	19.6	2.87	2.01	0.82	25.1	3.14	1.87	0.9	30
	4	2.47	1.98	0.53	10.4	2.23	2.23	0.48	8.5	2.34	2.13	0.5	9.4	2.67	1.94	0.57	12.2	2.95	1.79	0.63	14.9
	5	2.25	1.91	0.39	5.6	2.13	2.13	0.37	5	2.14	2.06	0.37	5	2.46	1.87	0.42	6.6	2.74	1.71	0.47	8.2
	6	2	1.84	0.29	3.1	1.98	1.98	0.28	3	1.98	1.94	0.28	3	2.23	1.79	0.32	3.8	2.51	1.61	0.36	4.8
	7	1.77	1.77	0.22	1.8	1.84	1.84	0.23	1.9	1.83	1.83	0.22	1.9	1.95	1.7	0.24	2.1	2.28	1.52	0.28	2.9
13	3	2.33	1.95	0.67	16.5	2.16	2.16	0.62	14.2	2.19	2.12	0.63	14.7	2.53	1.92	0.73	19.5	2.83	1.77	0.81	24.4
	4	2.13	1.88	0.46	7.8	2.06	2.06	0.44	7.2	2.06	2.02	0.44	7.2	2.33	1.87	0.5	9.3	2.63	1.68	0.56	11.8
	5	1.9	1.86	0.33	4	1.92	1.92	0.33	4	1.92	1.92	0.33	4.1	2.12	1.78	0.37	5	2.42	1.6	0.42	6.4
	6	1.73	1.73	0.25	2.3	1.79	1.79	0.26	2.4	1.79	1.79	0.26	2.4	1.87	1.71	0.27	2.7	2.18	1.52	0.31	3.6
	7	1.58	1.58	0.19	1.4	1.64	1.64	0.2	1.5	1.64	1.64	0.2	1.5	1.64	1.61	0.2	1.5	1.91	1.43	0.23	2



Capacity Tables

FWC005																					
E W T	Δt	Air inlet condition																			
		DB:26.7		WB:19.4		DB:27		WB:18		DB:27		WB:19		DB:27		WB:20		DB:29		WB:21	
		TC	SC	W F	W PD	TC	SC	W F	W PD	TC	SC	W F	W PD	TC	SC	W F	W PD	TC	SC	W F	W PD
5	3	5.73	3.45	1.64	72.2	5.26	3.8	1.51	60.7	5.62	3.6	1.61	69.2	5.94	3.45	1.7	77.5	6.27	3.29	1.8	86.4
	4	5.51	3.35	1.19	37.5	5.06	3.68	1.09	31.7	5.42	3.5	1.17	36.3	5.74	3.35	1.23	40.7	6.03	3.18	1.3	44.8
	5	5.27	3.23	0.91	22	4.82	3.6	0.83	18.4	5.17	3.39	0.89	21.1	5.51	3.23	0.95	24	5.79	5.01	1	26.5
	6	5.04	3.14	0.72	13.9	4.59	3.47	0.66	11.6	4.94	3.27	0.71	13.4	5.29	3.1	0.76	15.3	5.54	2.95	0.79	16.8
	7	4.79	2.99	0.59	9.3	4.34	3.39	0.53	7.6	4.68	3.16	0.58	8.8	5.03	2.99	0.62	10.2	5.31	2.83	0.65	11.4
6	3	5.41	3.32	1.55	64.2	4.93	3.66	1.41	53.3	5.29	3.46	1.52	61.3	5.63	3.3	1.61	69.6	5.95	3.14	1.71	77.8
	4	5.19	3.2	1.12	33.3	4.71	3.54	1.01	27.4	5.07	3.34	1.09	31.8	5.41	3.19	1.16	36.1	5.71	3.04	1.23	40.3
	5	4.94	3.08	0.85	19.3	4.49	3.44	0.77	16	4.84	3.25	0.83	18.5	5.16	3.06	0.89	21.1	5.49	2.92	0.94	23.8
	6	4.71	2.99	0.67	12.2	4.26	3.32	0.61	10	4.6	3.12	0.66	11.6	4.94	2.94	0.71	13.4	5.21	2.79	0.75	14.9
	7	4.46	2.86	0.55	8	3.99	3.24	0.49	6.4	4.35	3.04	0.53	7.6	4.66	2.84	0.57	8.8	4.98	2.68	0.61	10
7	3	5.05	3.16	1.45	56	4.58	3.51	1.31	46.1	4.94	3.32	1.42	53.6	5.31	3.15	1.52	61.8	5.6	2.99	1.61	68.9
	4	4.84	3.05	1.04	29	4.34	3.44	0.93	23.3	4.71	3.21	1.01	27.4	5.06	3.05	1.09	31.7	5.38	2.89	1.16	35.8
	5	4.6	2.94	0.79	16.7	4.12	3.32	0.71	13.4	4.5	3.1	0.77	16	4.82	2.91	0.83	18.4	5.12	2.77	0.88	20.7
	6	4.36	2.85	0.62	10.4	3.88	3.22	0.56	8.3	4.28	2.99	0.61	10.1	4.6	2.8	0.66	11.6	4.89	2.65	0.7	13.1
	7	4.12	2.72	0.51	6.9	3.62	3.1	0.45	5.3	3.99	2.9	0.49	6.4	4.33	2.71	0.53	7.6	4.63	2.54	0.57	8.6
8	3	4.71	3.02	1.35	48.6	4.2	3.39	1.2	38.7	4.6	3.16	1.32	46.4	4.95	2.99	1.42	53.7	5.27	2.82	1.51	60.9
	4	4.5	2.92	0.97	25	3.99	3.28	0.86	19.7	4.36	3.09	0.94	23.5	4.71	2.89	1.01	27.4	5.01	2.74	1.08	31
	5	4.27	2.79	0.73	14.4	3.75	3.18	0.64	11.1	4.14	2.96	0.71	13.6	4.49	2.79	0.77	16	4.8	2.63	0.83	18.2
	6	3.99	2.71	0.57	8.8	3.51	3.1	0.5	6.8	3.92	2.86	0.56	8.4	4.26	2.66	0.61	10	4.56	2.51	0.65	11.4
	7	3.76	2.58	0.46	5.7	3.25	2.97	0.4	4.3	3.64	2.76	0.45	5.4	3.99	2.56	0.49	6.4	4.27	2.4	0.52	7.3
9	3	4.38	2.88	1.25	42	3.85	3.26	1.1	32.5	4.25	3.03	1.22	39.7	4.62	2.84	1.32	46.8	4.92	2.69	1.41	53
	4	4.13	2.78	0.89	21.1	3.62	3.16	0.78	16.2	4.01	2.94	0.86	19.8	4.35	2.76	0.94	23.4	4.66	2.59	1	26.8
	5	3.91	2.66	0.67	12.1	3.35	3.09	0.58	8.9	3.79	2.84	0.65	11.3	4.12	2.64	0.71	13.4	4.44	2.47	0.76	15.5
	6	3.65	2.56	0.52	7.3	3.1	2.99	0.44	5.3	3.52	2.75	0.5	6.8	3.9	2.52	0.56	8.3	4.2	2.36	0.6	9.7
	7	3.38	2.44	0.41	4.6	2.89	2.89	0.36	3.4	3.26	2.62	0.4	4.3	3.61	2.44	0.44	5.3	3.91	2.25	0.48	6.2
10	3	4.01	2.73	1.15	35.3	3.45	3.14	0.99	26.2	3.85	2.92	1.1	32.5	4.24	2.72	1.22	39.5	4.57	2.55	1.31	45.9
	4	3.77	2.63	0.81	17.5	3.19	3.07	0.69	12.6	3.64	2.82	0.78	16.3	4.01	2.62	0.86	19.8	4.31	2.45	0.93	22.9
	5	3.52	2.55	0.61	9.8	2.99	2.99	0.51	7.1	3.37	2.73	0.58	9	3.75	2.51	0.65	11.1	4.08	2.34	0.7	13.1
	6	3.28	2.44	0.47	5.9	2.84	2.84	0.41	4.4	3.13	2.62	0.45	5.4	3.51	2.38	0.5	6.8	3.81	2.22	0.55	8
	7	2.99	2.33	0.37	3.6	2.67	2.67	0.33	2.9	2.85	2.53	0.35	3.3	3.21	2.31	0.39	4.2	3.56	2.11	0.44	5.1

FWC005 (cont.)

11	3	3.62	2.61	1.04	28.8	3.07	3.07	0.88	20.7	3.49	2.78	1	26.8	3.86	2.6	1.11	32.7	4.2	2.41	1.2	38.7
	4	3.4	2.52	0.73	14.2	2.92	2.92	0.63	10.5	3.26	2.68	0.7	13.1	3.63	2.47	0.78	16.3	3.97	2.31	0.85	19.4
	5	3.14	2.42	0.54	7.8	2.78	2.78	0.48	6.1	2.99	2.61	0.51	7.1	3.38	2.37	0.58	9	3.71	2.2	0.64	10.9
	6	2.86	2.32	0.41	4.5	2.6	2.6	0.37	3.7	2.75	2.49	0.39	4.1	3.12	2.29	0.45	5.3	3.44	2.09	0.49	6.5
	7	2.55	2.24	0.31	2.6	2.45	2.45	0.3	2.4	2.45	2.45	0.3	2.4	2.82	2.18	0.35	3.2	3.17	1.97	0.39	4.1
12	3	3.24	2.49	0.93	23	2.84	2.84	0.82	17.8	3.08	2.68	0.88	20.9	3.49	2.45	1	26.8	3.82	2.28	1.09	32
	4	3	2.4	0.65	11.1	2.71	2.71	0.58	9.1	2.85	2.59	0.61	10	3.25	2.36	0.7	13	3.59	2.18	0.77	15.9
	5	2.74	2.32	0.47	5.9	2.59	2.59	0.45	5.3	2.6	2.51	0.45	5.3	2.99	2.27	0.51	7.1	3.33	2.08	0.57	8.8
	6	2.44	2.24	0.35	3.3	2.41	2.41	0.35	3.2	2.41	2.36	0.35	3.2	2.71	2.18	0.39	4	3.05	1.96	0.44	5.1
	7	2.16	2.16	0.26	1.9	2.24	2.24	0.28	2	2.22	2.22	0.27	2	2.37	2.06	0.29	2.3	2.77	1.84	0.34	3.1
13	3	2.83	2.38	0.81	17.6	2.62	2.62	0.75	15.1	2.67	2.58	0.77	15.6	3.08	2.33	0.88	20.8	3.44	2.15	0.99	26
	4	2.59	2.29	0.56	8.3	2.5	2.5	0.54	7.7	2.5	2.45	0.54	7.7	2.83	2.27	0.61	9.9	3.19	2.05	0.69	12.6
	5	2.31	2.26	0.4	4.2	2.33	2.33	0.4	4.3	2.34	2.34	0.4	4.3	2.58	2.16	0.44	5.3	2.94	1.95	0.51	6.8
	6	2.1	2.1	0.3	2.4	2.18	2.18	0.31	2.6	2.18	2.18	0.31	2.6	2.28	2.08	0.33	2.9	2.66	1.84	0.38	3.9
	7	1.92	1.92	0.24	1.5	1.99	1.99	0.24	1.6	2	2	0.25	1.6	2	1.95	0.25	1.6	2.32	1.74	0.29	2.2

Capacity Tables

FWC006																					
EW	T	Air inlet condition																			
		DB:26.7 WB:19.4				DB:27 WB:18				DB:27 WB:19				DB:27 WB:20				DB:29 WB:21			
		TC	SC	WF	WP D	TC	SC	WF	WP D	TC	SC	WF	WP D	TC	SC	WF	WP D	TC	SC	WF	WP D
5	3	7.26	4.38	2.08	107.3	6.66	4.81	1.91	90.3	7.11	4.56	2.04	103	7.53	4.37	2.16	115.3	7.95	4.17	2.28	128.5
	4	6.98	4.24	1.5	55.8	6.42	4.66	1.38	47.1	6.87	4.43	1.48	54	7.27	4.24	1.56	60.5	7.63	4.03	1.64	66.7
	5	6.68	4.1	1.15	32.7	6.11	4.56	1.05	27.4	6.55	4.29	1.13	31.4	6.98	4.09	1.2	35.7	7.34	6.34	1.26	39.4
	6	6.38	3.98	0.91	20.7	5.82	4.4	0.83	17.2	6.26	4.15	0.9	19.9	6.7	3.93	0.96	22.8	7.02	3.73	1.01	25
	7	6.07	3.79	0.75	13.8	5.49	4.29	0.68	11.3	5.93	4.01	0.73	13.1	6.37	3.79	0.78	15.2	6.72	3.59	0.83	16.9
6	3	6.85	4.2	1.96	95.5	6.24	4.63	1.79	79.3	6.7	4.38	1.92	91.2	7.13	4.18	2.04	103.5	7.54	3.98	2.16	115.8
	4	6.58	4.05	1.41	49.6	5.96	4.48	1.28	40.7	6.42	4.24	1.38	47.2	6.85	4.05	1.47	53.7	7.24	3.85	1.56	60
	5	6.26	3.91	1.08	28.7	5.69	4.36	0.98	23.7	6.14	4.11	1.06	27.6	6.54	3.87	1.12	31.3	6.95	3.7	1.2	35.4
	6	5.96	3.79	0.85	18.1	5.4	4.21	0.77	14.8	5.82	3.96	0.83	17.3	6.26	3.73	0.9	19.9	6.6	3.54	0.95	22.2
	7	5.65	3.62	0.69	11.9	5.06	4.1	0.62	9.6	5.51	3.85	0.68	11.4	5.91	3.6	0.73	13	6.31	3.39	0.78	14.9
7	3	6.4	4	1.83	83.3	5.81	4.45	1.66	68.6	6.26	4.2	1.79	79.7	6.72	3.99	1.93	91.9	7.1	3.78	2.03	102.5
	4	6.14	3.86	1.32	43.1	5.5	4.35	1.18	34.7	5.97	4.06	1.28	40.8	6.42	3.86	1.38	47.1	6.82	3.66	1.47	53.2
	5	5.82	3.72	1	24.8	5.22	4.21	0.9	20	5.7	3.92	0.98	23.8	6.11	3.68	1.05	27.4	6.49	3.51	1.12	30.9
	6	5.52	3.61	0.79	15.5	4.92	4.08	0.71	12.3	5.42	3.78	0.78	15	5.83	3.55	0.84	17.3	6.19	3.36	0.89	19.5
	7	5.22	3.45	0.64	10.2	4.59	3.93	0.56	7.9	5.05	3.67	0.62	9.5	5.49	3.43	0.67	11.3	5.86	3.22	0.72	12.9
8	3	5.96	3.82	1.71	72.4	5.32	4.29	1.53	57.6	5.82	4.01	1.67	69	6.27	3.78	1.8	79.9	6.67	3.58	1.91	90.5
	4	5.7	3.69	1.23	37.2	5.06	4.15	1.09	29.3	5.53	3.92	1.19	35	5.96	3.66	1.28	40.7	6.35	3.47	1.37	46.2
	5	5.41	3.54	0.93	21.5	4.75	4.03	0.82	16.5	5.25	3.75	0.9	20.2	5.69	3.53	0.98	23.7	6.08	3.33	1.05	27.1
	6	5.06	3.43	0.73	13	4.44	3.92	0.64	10	4.96	3.62	0.71	12.5	5.4	3.37	0.77	14.8	5.77	3.17	0.83	17
	7	4.76	3.27	0.59	8.5	4.12	3.76	0.51	6.4	4.61	3.5	0.57	8	5.05	3.24	0.62	9.5	5.4	3.04	0.66	10.9
9	3	5.54	3.65	1.59	62.5	4.88	4.13	1.4	48.4	5.39	3.83	1.54	59.1	5.85	3.59	1.68	69.6	6.23	3.41	1.78	78.9
	4	5.23	3.52	1.12	31.3	4.59	4.01	0.99	24.1	5.07	3.72	1.09	29.5	5.51	3.5	1.18	34.8	5.91	3.28	1.27	39.9
	5	4.95	3.37	0.85	18	4.24	3.92	0.73	13.2	4.8	3.59	0.82	16.8	5.22	3.35	0.9	20	5.62	3.13	0.97	23.1
	6	4.62	3.25	0.66	10.9	3.92	3.79	0.56	7.8	4.46	3.48	0.64	10.1	4.94	3.19	0.71	12.4	5.32	2.99	0.76	14.4
	7	4.28	3.09	0.53	6.8	3.66	3.66	0.45	5	4.13	3.32	0.51	6.4	4.57	3.09	0.56	7.8	4.95	2.85	0.61	9.2
10	3	5.08	3.46	1.46	52.6	4.38	3.97	1.25	39	4.88	3.69	1.4	48.4	5.37	3.45	1.54	58.7	5.79	3.22	1.66	68.2
	4	4.77	3.33	1.03	26.1	4.05	3.89	0.87	18.7	4.61	3.57	0.99	24.3	5.07	3.31	1.09	29.5	5.45	3.1	1.17	34
	5	4.46	3.22	0.77	14.6	3.79	3.79	0.65	10.5	4.27	3.45	0.73	13.4	4.75	3.18	0.82	16.6	5.17	2.96	0.89	19.5
	6	4.15	3.08	0.6	8.8	3.59	3.59	0.52	6.6	3.96	3.32	0.57	8	4.44	3.01	0.64	10	4.83	2.81	0.69	11.9
	7	3.79	2.95	0.47	5.4	3.38	3.38	0.42	4.3	3.61	3.2	0.44	4.9	4.07	2.92	0.5	6.2	4.52	2.67	0.55	7.6

FWC006 (cont.)

11	3	4.59	3.31	1.32	42.9	3.89	3.89	1.12	30.8	4.43	3.52	1.27	39.8	4.89	3.29	1.4	48.6	5.32	3.05	1.53	57.6
	4	4.3	3.19	0.92	21.2	3.7	3.7	0.8	15.7	4.13	3.39	0.89	19.5	4.6	3.13	0.99	24.2	5.03	2.93	1.08	28.9
	5	3.97	3.07	0.68	11.6	3.52	3.52	0.61	9.1	3.79	3.31	0.65	10.5	4.28	3	0.74	13.4	4.7	2.79	0.81	16.2
	6	3.62	2.94	0.52	6.7	3.3	3.3	0.47	5.5	3.48	3.16	0.5	6.2	3.95	2.9	0.57	7.9	4.36	2.65	0.62	9.7
	7	3.22	2.84	0.4	3.9	3.11	3.11	0.38	3.6	3.11	3.11	0.38	3.6	3.58	2.76	0.44	4.8	4.01	2.49	0.49	6
12	3	4.1	3.15	1.18	34.3	3.6	3.6	1.03	26.4	3.91	3.4	1.12	31.1	4.43	3.1	1.27	39.8	4.84	2.89	1.39	47.6
	4	3.8	3.04	0.82	16.5	3.43	3.43	0.74	13.5	3.61	3.28	0.78	14.9	4.11	2.99	0.88	19.4	4.55	2.76	0.98	23.7
	5	3.47	2.94	0.6	8.8	3.28	3.28	0.56	7.9	3.29	3.17	0.57	7.9	3.79	2.88	0.65	10.5	4.22	2.63	0.73	13
	6	3.08	2.84	0.44	4.8	3.05	3.05	0.44	4.7	3.05	2.99	0.44	4.7	3.44	2.76	0.49	6	3.87	2.48	0.55	7.6
	7	2.73	2.73	0.34	2.8	2.84	2.84	0.35	3	2.81	2.81	0.35	3	3	2.62	0.37	3.4	3.51	2.34	0.43	4.6
13	3	3.59	3.01	1.03	26.2	3.32	3.32	0.95	22.5	3.38	3.27	0.97	23.3	3.9	2.95	1.12	30.9	4.36	2.72	1.25	38.7
	4	3.28	2.9	0.71	12.3	3.17	3.17	0.68	11.5	3.17	3.11	0.68	11.5	3.59	2.88	0.77	14.7	4.05	2.59	0.87	18.7
	5	2.93	2.86	0.5	6.3	2.95	2.95	0.51	6.4	2.96	2.96	0.51	6.4	3.27	2.74	0.56	7.9	3.73	2.47	0.64	10.2
	6	2.66	2.66	0.38	3.6	2.76	2.76	0.39	3.9	2.76	2.76	0.39	3.9	2.89	2.64	0.41	4.2	3.36	2.34	0.48	5.8
	7	2.43	2.43	0.3	2.2	2.53	2.53	0.31	2.4	2.53	2.53	0.31	2.4	2.53	2.48	0.31	2.4	2.94	2.2	0.36	3.2

Capacity Tables

FWC008																					
EWT	Δt	Air inlet condition																			
		DB:26.7 WB:19.4				DB:27 WB:18				DB:27 WB:19				DB:27 WB:20				DB:29 WB:21			
		TC	SC	WF	WP D	TC	SC	WF	WP D	TC	SC	WF	WP D	TC	SC	WF	WP D	TC	SC	WF	WP D
5	3	8.92	5.37	2.56	113.7	8.18	5.91	2.35	95.6	8.74	5.61	2.5	109.1	9.24	5.36	2.65	122	9.76	5.12	2.8	136
	4	8.58	5.21	1.84	59.1	7.88	5.73	1.69	49.9	8.43	5.44	1.81	57.2	8.93	5.21	1.92	64.1	9.37	4.95	2.02	70.6
	5	8.2	5.03	1.41	34.6	7.51	5.6	1.29	29	8.04	5.27	1.38	33.3	8.58	5.02	1.48	37.8	9.01	7.79	1.55	41.8
	6	7.84	4.89	1.12	21.9	7.14	5.4	1.02	18.2	7.69	5.09	1.1	21.1	8.22	4.83	1.18	24.1	8.62	4.59	1.23	26.5
	7	7.45	4.66	0.92	14.6	6.75	5.27	0.83	12	7.28	4.92	0.89	13.9	7.82	4.66	0.96	16	8.25	4.4	1.01	17.9
6	3	8.41	5.16	2.41	101.1	7.67	5.69	2.2	84	8.22	5.38	2.36	96.6	8.76	5.13	2.51	109.6	9.26	4.89	2.66	122.6
	4	8.08	4.98	1.74	52.5	7.32	5.51	1.57	43.1	7.89	5.2	1.7	50	8.41	4.97	1.81	56.9	8.89	4.73	1.91	63.5
	5	7.69	4.8	1.32	30.4	6.99	5.35	1.2	25.1	7.54	5.05	1.3	29.2	8.03	4.76	1.38	33.2	8.54	4.55	1.47	37.5
	6	7.32	4.66	1.05	19.2	6.63	5.17	0.95	15.7	7.15	4.86	1.03	18.3	7.69	4.58	1.1	21.1	8.11	4.34	1.16	23.5
	7	6.94	4.44	0.85	12.6	6.21	5.04	0.76	10.1	6.77	4.73	0.83	12	7.25	4.42	0.89	13.8	7.75	4.16	0.95	15.8
7	3	7.86	4.91	2.25	88.2	7.13	5.46	2.04	72.7	7.69	5.16	2.2	84.4	8.25	4.9	2.37	97.3	8.72	4.65	2.5	108.6
	4	7.54	4.74	1.62	45.6	6.76	5.34	1.45	36.7	7.33	4.99	1.58	43.2	7.88	4.74	1.69	49.9	8.37	4.49	1.8	56.4
	5	7.15	4.57	1.23	26.3	6.41	5.17	1.1	21.2	7	4.82	1.2	25.2	7.51	4.53	1.29	29	7.97	4.31	1.37	32.7
	6	6.78	4.43	0.97	16.4	6.04	5.01	0.87	13	6.66	4.65	0.95	15.8	7.16	4.35	1.03	18.3	7.61	4.12	1.09	20.7
	7	6.41	4.23	0.79	10.8	5.64	4.83	0.69	8.3	6.2	4.51	0.76	10.1	6.74	4.21	0.83	11.9	7.2	3.95	0.88	13.6
8	3	7.32	4.7	2.1	76.6	6.54	5.27	1.87	61	7.15	4.92	2.05	73.1	7.7	4.65	2.21	84.6	8.19	4.39	2.35	95.9
	4	7	4.54	1.51	39.4	6.21	5.1	1.34	31	6.79	4.81	1.46	37	7.32	4.49	1.57	43.1	7.8	4.26	1.68	48.9
	5	6.65	4.34	1.14	22.7	5.83	4.95	1	17.5	6.44	4.61	1.11	21.4	6.99	4.33	1.2	25.1	7.46	4.09	1.28	28.7
	6	6.21	4.21	0.89	13.8	5.45	4.82	0.78	10.6	6.09	4.44	0.87	13.3	6.63	4.14	0.95	15.7	7.09	3.9	1.02	18
	7	5.85	4.02	0.72	9	5.06	4.62	0.62	6.7	5.67	4.29	0.7	8.4	6.2	3.98	0.76	10.1	6.64	3.74	0.82	11.6
9	3	6.81	4.48	1.95	66.2	5.99	5.07	1.72	51.3	6.62	4.71	1.9	62.5	7.18	4.41	2.06	73.7	7.65	4.18	2.19	83.5
	4	6.42	4.32	1.38	33.2	5.64	4.92	1.21	25.5	6.23	4.57	1.34	31.2	6.77	4.29	1.46	36.8	7.25	4.03	1.56	42.3
	5	6.08	4.14	1.05	19	5.21	4.81	0.9	14	5.89	4.41	1.01	17.8	6.41	4.11	1.1	21.2	6.9	3.85	1.19	24.5
	6	5.68	3.99	0.81	11.5	4.82	4.66	0.69	8.3	5.47	4.27	0.78	10.7	6.06	3.92	0.87	13.1	6.54	3.67	0.94	15.3
	7	5.25	3.8	0.65	7.2	4.49	4.49	0.55	5.3	5.07	4.08	0.62	6.8	5.62	3.8	0.69	8.3	6.08	3.51	0.75	9.7
10	3	6.24	4.25	1.79	55.7	5.37	4.88	1.54	41.3	5.99	4.54	1.72	51.3	6.6	4.23	1.89	62.2	7.11	3.96	2.04	72.2
	4	5.86	4.09	1.26	27.6	4.97	4.78	1.07	19.9	5.66	4.38	1.22	25.7	6.23	4.07	1.34	31.2	6.7	3.81	1.44	36
	5	5.47	3.96	0.94	15.4	4.66	4.66	0.8	11.2	5.24	4.24	0.9	14.1	5.84	3.91	1	17.5	6.34	3.64	1.09	20.7
	6	5.1	3.79	0.73	9.3	4.41	4.41	0.63	7	4.87	4.08	0.7	8.5	5.45	3.7	0.78	10.6	5.93	3.45	0.85	12.6
	7	4.66	3.63	0.57	5.7	4.15	4.15	0.51	4.5	4.43	3.93	0.54	5.2	5	3.59	0.61	6.6	5.55	3.28	0.68	8.1

FWC008 (cont.)

11	3	5.64	4.06	1.62	45.4	4.78	4.78	1.37	32.6	5.43	4.32	1.56	42.2	6	4.04	1.72	51.4	6.54	3.75	1.87	61
	4	5.28	3.92	1.14	22.4	4.55	4.55	0.98	16.6	5.07	4.16	1.09	20.7	5.65	3.85	1.21	25.6	6.17	3.6	1.33	30.6
	5	4.88	3.77	0.84	12.2	4.32	4.32	0.74	9.6	4.66	4.06	0.8	11.2	5.25	3.69	0.9	14.2	5.77	3.42	0.99	17.1
	6	4.44	3.62	0.64	7.1	4.05	4.05	0.58	5.9	4.27	3.88	0.61	6.5	4.85	3.57	0.69	8.4	5.35	3.25	0.77	10.2
	7	3.96	3.48	0.49	4.1	3.82	3.82	0.47	3.8	3.82	3.82	0.47	3.8	4.39	3.38	0.54	5.1	4.93	3.06	0.61	6.4
12	3	5.04	3.87	1.44	36.3	4.42	4.42	1.27	28	4.8	4.17	1.38	32.9	5.43	3.81	1.56	42.2	5.94	3.55	1.7	50.4
	4	4.67	3.74	1	17.5	4.21	4.21	0.91	14.3	4.43	4.03	0.95	15.8	5.05	3.67	1.09	20.5	5.59	3.38	1.2	25.1
	5	4.26	3.61	0.73	9.3	4.03	4.03	0.69	8.4	4.04	3.9	0.69	8.4	4.66	3.54	0.8	11.2	5.18	3.23	0.89	13.8
	6	3.79	3.48	0.54	5.1	3.75	3.75	0.54	5	3.75	3.68	0.54	5	4.22	3.38	0.61	6.4	4.75	3.05	0.68	8.1
	7	3.35	3.35	0.41	3	3.48	3.48	0.43	3.2	3.45	3.45	0.42	3.1	3.69	3.21	0.45	3.6	4.31	2.87	0.53	4.9
13	3	4.4	3.7	1.26	27.7	4.08	4.08	1.17	23.8	4.15	4.01	1.19	24.6	4.79	3.63	1.37	32.8	5.35	3.34	1.53	40.9
	4	4.03	3.56	0.87	13.1	3.89	3.89	0.84	12.2	3.89	3.82	0.84	12.2	4.4	3.54	0.95	15.6	4.97	3.18	1.07	19.9
	5	3.6	3.52	0.62	6.7	3.63	3.63	0.62	6.8	3.64	3.64	0.63	6.8	4.02	3.36	0.69	8.3	4.58	3.03	0.79	10.8
	6	3.27	3.27	0.47	3.8	3.38	3.38	0.49	4.1	3.38	3.38	0.49	4.1	3.55	3.24	0.51	4.5	4.13	2.87	0.59	6.1
	7	2.99	2.99	0.37	2.4	3.1	3.1	0.38	2.5	3.11	3.11	0.38	2.5	3.11	3.04	0.38	2.5	3.62	2.71	0.44	3.4

Capacity Tables

FWC009																					
EW T	Δt	Air inlet condition																			
		DB:26.7 WB:19.4				DB:27 WB:18				DB:27 WB:19				DB:27 WB:20				DB:29 WB:21			
		TC	SC	WF	WP D	TC	SC	WF	WP D	TC	SC	WF	WP D	TC	SC	WF	WP D	TC	SC	WF	WP D
5	3	9.26	5.58	2.66	121.8	8.5	6.14	2.44	102.5	9.07	5.82	2.6	116.9	9.6	5.57	2.75	130.8	10.13	5.32	2.91	145.7
	4	8.91	5.41	1.91	63.3	8.18	5.95	1.76	53.4	8.76	5.65	1.88	61.3	9.27	5.41	1.99	68.7	9.74	5.14	2.09	75.7
	5	8.52	5.22	1.47	37.1	7.79	5.81	1.34	31	8.35	5.48	1.44	35.6	8.91	5.21	1.53	40.5	9.36	8.09	1.61	44.7
	6	8.14	5.08	1.17	23.5	7.42	5.61	1.06	19.5	7.98	5.29	1.14	22.6	8.54	5.01	1.22	25.9	8.95	4.76	1.28	28.4
	7	7.74	4.84	0.95	15.6	7.01	5.48	0.86	12.8	7.56	5.11	0.93	14.9	8.12	4.84	1	17.2	8.57	4.57	1.05	19.2
6	3	8.74	5.36	2.51	108.4	7.96	5.91	2.28	90	8.54	5.59	2.45	103.5	9.1	5.33	2.61	117.4	9.62	5.08	2.76	131.3
	4	8.39	5.17	1.8	56.2	7.61	5.72	1.64	46.2	8.19	5.4	1.76	53.6	8.74	5.16	1.88	61	9.23	4.91	1.98	68
	5	7.98	4.98	1.37	32.6	7.26	5.56	1.25	26.9	7.83	5.25	1.35	31.3	8.34	4.94	1.43	35.5	8.86	4.72	1.52	40.1
	6	7.61	4.84	1.09	20.5	6.88	5.37	0.99	16.8	7.43	5.05	1.06	19.6	7.98	4.75	1.14	22.6	8.42	4.51	1.21	25.2
	7	7.21	4.62	0.89	13.5	6.45	5.23	0.79	10.9	7.03	4.91	0.86	12.9	7.53	4.59	0.93	14.8	8.05	4.32	0.99	16.9
7	3	8.16	5.1	2.34	94.5	7.41	5.68	2.12	77.8	7.98	5.36	2.29	90.4	8.57	5.09	2.46	104.2	9.05	4.83	2.6	116.3
	4	7.83	4.92	1.68	48.9	7.02	5.55	1.51	39.3	7.62	5.18	1.64	46.3	8.18	4.92	1.76	53.4	8.7	4.67	1.87	60.4
	5	7.43	4.74	1.28	28.2	6.66	5.37	1.15	22.7	7.27	5	1.25	27	7.79	4.7	1.34	31	8.28	4.48	1.42	35
	6	7.04	4.61	1.01	17.6	6.27	5.2	0.9	14	6.91	4.83	0.99	17	7.44	4.52	1.07	19.6	7.9	4.28	1.13	22.1
	7	6.66	4.4	0.82	11.6	5.85	5.01	0.72	8.9	6.44	4.68	0.79	10.8	7	4.37	0.86	12.8	7.48	4.1	0.92	14.6
8	3	7.61	4.88	2.18	82.1	6.79	5.48	1.95	65.4	7.43	5.11	2.13	78.3	7.99	4.83	2.29	90.7	8.51	4.56	2.44	102.7
	4	7.27	4.71	1.56	42.2	6.45	5.3	1.39	33.2	7.05	4.99	1.52	39.7	7.61	4.67	1.64	46.2	8.1	4.43	1.74	52.4
	5	6.9	4.51	1.19	24.3	6.05	5.14	1.04	18.7	6.69	4.78	1.15	22.9	7.26	4.5	1.25	26.9	7.75	4.25	1.33	30.7
	6	6.45	4.37	0.92	14.8	5.66	5	0.81	11.4	6.33	4.62	0.91	14.2	6.88	4.3	0.99	16.8	7.36	4.05	1.06	19.2
	7	6.07	4.18	0.75	9.6	5.26	4.79	0.65	7.2	5.89	4.46	0.72	9	6.44	4.13	0.79	10.8	6.89	3.88	0.85	12.4
9	3	7.07	4.66	2.03	70.9	6.22	5.27	1.78	54.9	6.87	4.89	1.97	67	7.46	4.58	2.14	79	7.94	4.34	2.28	89.5
	4	6.67	4.49	1.43	35.5	5.85	5.11	1.26	27.4	6.47	4.74	1.39	33.4	7.03	4.46	1.51	39.4	7.53	4.19	1.62	45.3
	5	6.32	4.3	1.09	20.4	5.41	4.99	0.93	15	6.12	4.58	1.05	19.1	6.66	4.27	1.15	22.7	7.17	4	1.23	26.2
	6	5.9	4.14	0.85	12.3	5	4.84	0.72	8.9	5.69	4.44	0.81	11.5	6.29	4.07	0.9	14.1	6.79	3.81	0.97	16.3
	7	5.46	3.94	0.67	7.8	4.67	4.67	0.57	5.7	5.27	4.24	0.65	7.2	5.83	3.94	0.72	8.9	6.32	3.64	0.78	10.4
10	3	6.48	4.42	1.86	59.6	5.58	5.07	1.6	44.2	6.22	4.71	1.78	54.9	6.85	4.4	1.96	66.6	7.39	4.11	2.12	77.4
	4	6.08	4.25	1.31	29.6	5.16	4.96	1.11	21.3	5.87	4.55	1.26	27.6	6.47	4.23	1.39	33.4	6.96	3.95	1.5	38.6
	5	5.69	4.11	0.98	16.5	4.84	4.84	0.83	12	5.44	4.41	0.94	15.1	6.06	4.06	1.04	18.8	6.59	3.78	1.13	22.2
	6	5.3	3.93	0.76	10	4.58	4.58	0.66	7.5	5.06	4.24	0.72	9.1	5.66	3.84	0.81	11.4	6.16	3.59	0.88	13.5
	7	4.84	3.77	0.59	6.1	4.31	4.31	0.53	4.9	4.61	4.08	0.57	5.5	5.19	3.72	0.64	7	5.76	3.41	0.71	8.7

FWC009 (cont.)

11	3	5.85	4.22	1.68	48.6	4.96	4.96	1.42	34.9	5.64	4.49	1.62	45.2	6.23	4.2	1.79	55.1	6.79	3.89	1.95	65.4
	4	5.49	4.07	1.18	24	4.72	4.72	1.01	17.8	5.27	4.32	1.13	22.1	5.86	4	1.26	27.5	6.41	3.73	1.38	32.8
	5	5.07	3.91	0.87	13.1	4.49	4.49	0.77	10.3	4.84	4.22	0.83	12	5.46	3.83	0.94	15.2	5.99	3.56	1.03	18.3
	6	4.62	3.76	0.66	7.6	4.21	4.21	0.6	6.3	4.44	4.03	0.64	7	5.04	3.7	0.72	9	5.56	3.38	0.8	11
	7	4.11	3.62	0.51	4.4	3.97	3.97	0.49	4.1	3.97	3.97	0.49	4.1	4.56	3.51	0.56	5.4	5.12	3.18	0.63	6.8
12	3	5.23	4.02	1.5	38.9	4.59	4.59	1.32	30	4.98	4.33	1.43	35.2	5.64	3.95	1.62	45.2	6.17	3.68	1.77	54
	4	4.85	3.88	1.04	18.8	4.37	4.37	0.94	15.3	4.61	4.19	0.99	16.9	5.25	3.81	1.13	22	5.8	3.51	1.25	26.9
	5	4.43	3.75	0.76	10	4.19	4.19	0.72	9	4.2	4.05	0.72	9	4.84	3.67	0.83	12	5.38	3.36	0.93	14.8
	6	3.93	3.62	0.56	5.5	3.89	3.89	0.56	5.4	3.89	3.82	0.56	5.4	4.39	3.51	0.63	6.8	4.93	3.17	0.71	8.6
	7	3.48	3.48	0.43	3.2	3.62	3.62	0.44	3.4	3.59	3.59	0.44	3.4	3.83	3.34	0.47	3.8	4.48	2.98	0.55	5.2
13	3	4.57	3.84	1.31	29.7	4.24	4.24	1.21	25.5	4.31	4.16	1.24	26.4	4.97	3.77	1.43	35.1	5.56	3.47	1.59	43.9
	4	4.19	3.69	0.9	14	4.04	4.04	0.87	13	4.04	3.97	0.87	13	4.57	3.67	0.98	16.7	5.16	3.3	1.11	21.3
	5	3.73	3.65	0.64	7.1	3.77	3.77	0.65	7.3	3.78	3.78	0.65	7.3	4.18	3.49	0.72	8.9	4.75	3.15	0.82	11.5
	6	3.4	3.4	0.49	4.1	3.51	3.51	0.5	4.4	3.51	3.51	0.5	4.4	3.68	3.37	0.53	4.8	4.29	2.98	0.61	6.5
	7	3.11	3.11	0.38	2.5	3.22	3.22	0.4	2.7	3.23	3.23	0.4	2.7	3.23	3.16	0.4	2.7	3.76	2.81	0.46	3.7

Capacity Tables

FWC010																						
EW	T	Δt	Air inlet condition																			
			DB:26.7 WB:19.4				DB:27 WB:18				DB:27 WB:19				DB:27 WB:20				DB:29 WB:21			
			TC	SC	WF	WP D	TC	SC	WF	WP D	TC	SC	WF	WP D	TC	SC	WF	WP D	TC	SC	WF	WP D
5	3	10.4 7	6.31	3	140. 7	9.61	6.94	2.75	118. 4	10.2 6	6.58	2.94	135	10.8 5	6.3	3.11	151. 1	11.4 6	6.01	3.28	168. 4	
	4	10.0 7	6.12	2.17	73.2	9.25	6.73	1.99	61.8	9.9	6.39	2.13	70.8	10.4 9	6.12	2.25	79.3	11.0 1	5.81	2.37	87.4	
	5	9.63	5.91	1.66	42.8	8.81	6.57	1.52	35.9	9.44	6.19	1.62	41.2	10.0 7	5.9	1.73	46.8	10.5 8	9.15	1.82	51.7	
	6	9.2	5.74	1.32	27.2	8.39	6.35	1.2	22.6	9.03	5.98	1.29	26.1	9.66	5.67	1.38	29.9	10.1 2	5.39	1.45	32.8	
	7	8.75	5.47	1.08	18.1	7.92	6.19	0.97	14.8	8.55	5.78	1.05	17.2	9.18	5.47	1.13	19.9	9.69	5.17	1.19	22.1	
6	3	9.88	6.06	2.83	125. 2	9	6.68	2.58	104	9.66	6.32	2.77	119. 6	10.2 8	6.03	2.95	135. 7	10.8 8	5.74	3.12	151. 8	
	4	9.49	5.85	2.04	65	8.6	6.46	1.85	53.4	9.26	6.11	1.99	61.9	9.88	5.84	2.12	70.4	10.4 4	5.55	2.24	78.6	
	5	9.03	5.63	1.55	37.6	8.21	6.29	1.41	31.1	8.85	5.93	1.52	36.2	9.43	5.59	1.62	41.1	10.0 2	5.34	1.72	46.4	
	6	8.6	5.47	1.23	23.7	7.78	6.07	1.12	19.4	8.4	5.71	1.2	22.6	9.03	5.37	1.29	26.1	9.52	5.1	1.37	29.1	
	7	8.15	5.22	1	15.6	7.29	5.92	0.9	12.5	7.95	5.55	0.98	14.9	8.52	5.2	1.05	17.1	9.1	4.89	1.12	19.5	
7	3	9.23	5.76	2.65	109. 2	8.37	6.42	2.4	90	9.03	6.06	2.59	104. 5	9.69	5.75	2.78	120. 5	10.2 4	5.46	2.93	134. 4	
	4	8.85	5.56	1.9	56.5	7.94	6.27	1.71	45.4	8.61	5.86	1.85	53.5	9.25	5.56	1.99	61.8	9.83	5.28	2.11	69.8	
	5	8.4	5.36	1.44	32.6	7.53	6.07	1.3	26.2	8.22	5.66	1.41	31.2	8.81	5.31	1.52	35.9	9.36	5.06	1.61	40.4	
	6	7.96	5.21	1.14	20.3	7.09	5.88	1.02	16.1	7.82	5.46	1.12	19.6	8.41	5.11	1.21	22.7	8.93	4.84	1.28	25.6	
	7	7.53	4.97	0.93	13.4	6.62	5.67	0.81	10.3	7.28	5.29	0.89	12.5	7.91	4.95	0.97	14.8	8.46	4.64	1.04	16.9	
8	3	8.6	5.52	2.47	94.9	7.67	6.19	2.2	75.5	8.4	5.78	2.41	90.5	9.04	5.46	2.59	104. 8	9.62	5.16	2.76	118. 7	
	4	8.22	5.33	1.77	48.8	7.29	5.99	1.57	38.4	7.97	5.65	1.71	45.8	8.6	5.28	1.85	53.4	9.16	5.01	1.97	60.5	
	5	7.8	5.1	1.34	28.1	6.84	5.81	1.18	21.6	7.57	5.41	1.3	26.4	8.21	5.09	1.41	31.1	8.77	4.8	1.51	35.5	
	6	7.29	4.95	1.05	17.1	6.41	5.66	0.92	13.2	7.15	5.22	1.03	16.4	7.78	4.86	1.12	19.4	8.33	4.58	1.19	22.2	
	7	6.87	4.72	0.84	11.1	5.94	5.42	0.73	8.3	6.65	5.04	0.82	10.4	7.28	4.67	0.89	12.5	7.79	4.39	0.96	14.3	
9	3	7.99	5.27	2.29	82	7.03	5.95	2.02	63.5	7.77	5.53	2.23	77.4	8.43	5.18	2.42	91.2	8.98	4.91	2.57	103. 4	
	4	7.54	5.08	1.62	41.1	6.62	5.78	1.42	31.6	7.32	5.36	1.57	38.6	7.95	5.04	1.71	45.6	8.52	4.73	1.83	52.3	
	5	7.14	4.86	1.23	23.5	6.12	5.65	1.05	17.3	6.92	5.18	1.19	22.1	7.53	4.83	1.3	26.2	8.1	4.52	1.39	30.3	
	6	6.67	4.69	0.96	14.3	5.66	5.47	0.81	10.3	6.43	5.02	0.92	13.3	7.12	4.6	1.02	16.2	7.67	4.31	1.1	18.9	
	7	6.17	4.46	0.76	9	5.28	5.28	0.65	6.6	5.95	4.79	0.73	8.4	6.59	4.46	0.81	10.3	7.14	4.12	0.88	12	

FWC010 (cont.)

10	3	7.33	4.99	2.1	68.9	6.31	5.73	1.81	51.1	7.03	5.33	2.02	63.5	7.75	4.97	2.22	77	8.35	4.65	2.39	89.4
	4	6.88	4.8	1.48	34.2	5.84	5.61	1.25	24.6	6.64	5.15	1.43	31.8	7.32	4.78	1.57	38.6	7.86	4.47	1.69	44.6
	5	6.43	4.65	1.11	19.1	5.47	5.47	0.94	13.8	6.16	4.98	1.06	17.5	6.86	4.59	1.18	21.7	7.45	4.27	1.28	25.6
	6	5.99	4.45	0.86	11.5	5.18	5.18	0.74	8.6	5.72	4.79	0.82	10.5	6.41	4.34	0.92	13.2	6.96	4.06	1	15.6
	7	5.47	4.26	0.67	7	4.88	4.88	0.6	5.6	5.21	4.61	0.64	6.4	5.87	4.21	0.72	8.1	6.51	3.85	0.8	10
11	3	6.62	4.77	1.9	56.2	5.61	5.61	1.61	40.4	6.38	5.08	1.83	52.2	7.05	4.74	2.02	63.7	7.67	4.4	2.2	75.5
	4	6.2	4.6	1.33	27.8	5.34	5.34	1.15	20.6	5.95	4.89	1.28	25.6	6.63	4.52	1.43	31.7	7.25	4.22	1.56	37.9
	5	5.73	4.42	0.99	15.2	5.08	5.08	0.87	11.9	5.47	4.77	0.94	13.8	6.17	4.33	1.06	17.6	6.77	4.02	1.16	21.2
	6	5.22	4.25	0.75	8.7	4.76	4.76	0.68	7.3	5.02	4.55	0.72	8.1	5.69	4.19	0.82	10.4	6.29	3.82	0.9	12.7
	7	4.65	4.09	0.57	5.1	4.48	4.48	0.55	4.7	4.48	4.48	0.55	4.7	5.16	3.97	0.63	6.3	5.79	3.59	0.71	7.9
12	3	5.92	4.54	1.7	44.9	5.2	5.2	1.49	34.6	5.63	4.9	1.62	40.7	6.38	4.47	1.83	52.2	6.97	4.16	2	62.4
	4	5.48	4.39	1.18	21.7	4.95	4.95	1.06	17.7	5.21	4.73	1.12	19.6	5.93	4.31	1.28	25.4	6.56	3.97	1.41	31
	5	5.01	4.23	0.86	11.6	4.73	4.73	0.81	10.3	4.74	4.58	0.82	10.4	5.47	4.15	0.94	13.8	6.08	3.8	1.05	17.1
	6	4.45	4.09	0.64	6.3	4.4	4.4	0.63	6.2	4.4	4.32	0.63	6.2	4.96	3.97	0.71	7.9	5.57	3.58	0.8	10
	7	3.94	3.94	0.48	3.7	4.09	4.09	0.5	4	4.06	4.06	0.5	3.9	4.33	3.77	0.53	4.4	5.06	3.37	0.62	6
13	3	5.17	4.34	1.48	34.3	4.79	4.79	1.37	29.5	4.88	4.71	1.4	30.5	5.62	4.26	1.61	40.6	6.29	3.93	1.8	50.7
	4	4.73	4.18	1.02	16.2	4.57	4.57	0.98	15.1	4.57	4.48	0.98	15.1	5.17	4.15	1.11	19.3	5.84	3.74	1.25	24.6
	5	4.22	4.13	0.73	8.2	4.26	4.26	0.73	8.4	4.27	4.27	0.73	8.4	4.72	3.95	0.81	10.3	5.37	3.56	0.92	13.3
	6	3.84	3.84	0.55	4.7	3.97	3.97	0.57	5.1	3.97	3.97	0.57	5.1	4.16	3.81	0.6	5.6	4.85	3.37	0.7	7.6
	7	3.51	3.51	0.43	2.9	3.64	3.64	0.45	3.1	3.65	3.65	0.45	3.1	3.65	3.57	0.45	3.1	4.25	3.18	0.52	4.3

Capacity Tables

FWC012																					
EW T	Δt	Air inlet condition																			
		DB:26.7 WB:19.4				DB:27 WB:18				DB:27 WB:19				DB:27 WB:20				DB:29 WB:21			
		TC	SC	WF	WP D	TC	SC	WF	WP D	TC	SC	WF	WP D	TC	SC	WF	WP D	TC	SC	WF	WP D
5	3	13.24	7.98	3.8	198.4	12.14	8.77	3.48	167	12.97	8.32	3.72	190.4	13.72	7.96	3.93	213.1	14.48	7.6	4.15	237.5
	4	12.73	7.74	2.74	103.2	11.69	8.5	2.51	87.1	12.52	8.08	2.69	99.8	13.25	7.74	2.85	111.9	13.91	7.35	2.99	123.3
	5	12.17	7.47	2.09	60.4	11.14	8.31	1.92	50.6	11.93	7.83	2.05	58.1	12.73	7.45	2.19	66	13.37	11.56	2.3	72.9
	6	11.63	7.26	1.67	38.3	10.6	8.02	1.52	31.8	11.41	7.56	1.64	36.9	12.2	7.17	1.75	42.2	12.79	6.81	1.83	46.3
	7	11.06	6.91	1.36	25.5	10.02	7.83	1.23	20.9	10.81	7.3	1.33	24.3	11.6	6.91	1.43	28	12.25	6.54	1.5	31.2
6	3	12.49	7.66	3.58	176.6	11.38	8.44	3.26	146.6	12.2	7.99	3.5	168.6	13	7.62	3.73	191.3	13.75	7.26	3.94	214
	4	11.99	7.39	2.58	91.6	10.87	8.17	2.34	75.3	11.71	7.72	2.52	87.3	12.49	7.38	2.69	99.3	13.19	7.02	2.84	110.9
	5	11.41	7.12	1.96	53.1	10.38	7.95	1.78	43.9	11.18	7.5	1.92	51	11.92	7.06	2.05	57.9	12.67	6.75	2.18	65.4
	6	10.87	6.91	1.56	33.4	9.84	7.68	1.41	27.4	10.61	7.21	1.52	31.9	11.41	6.79	1.64	36.9	12.04	6.45	1.73	41
	7	10.3	6.6	1.27	22.1	9.22	7.48	1.13	17.7	10.05	7.02	1.23	21	10.76	6.57	1.32	24.1	11.5	6.18	1.41	27.5
7	3	11.66	7.29	3.34	154	10.58	8.11	3.03	126.9	11.41	7.66	3.27	147.4	12.25	7.27	3.51	169.9	12.94	6.9	3.71	189.5
	4	11.18	7.03	2.4	79.7	10.03	7.93	2.16	64.1	10.88	7.41	2.34	75.5	11.69	7.03	2.51	87.1	12.43	6.67	2.67	98.4
	5	10.61	6.78	1.83	45.9	9.52	7.68	1.64	36.9	10.39	7.15	1.79	44	11.14	6.72	1.92	50.6	11.83	6.4	2.03	57
	6	10.06	6.58	1.44	28.7	8.97	7.44	1.29	22.8	9.88	6.9	1.42	27.6	10.63	6.46	1.52	32	11.29	6.12	1.62	36.1
	7	9.52	6.28	1.17	18.9	8.37	7.17	1.03	14.6	9.21	6.69	1.13	17.6	10	6.25	1.23	20.8	10.69	5.86	1.31	23.8
8	3	10.87	6.97	3.12	133.8	9.7	7.83	2.78	106.5	10.61	7.3	3.04	127.6	11.42	6.9	3.28	147.8	12.16	6.52	3.49	167.4
	4	10.39	6.73	2.23	68.8	9.22	7.57	1.98	54.1	10.08	7.14	2.17	64.7	10.87	6.67	2.34	75.3	11.57	6.33	2.49	85.3
	5	9.87	6.45	1.7	39.7	8.65	7.35	1.49	30.5	9.57	6.84	1.65	37.3	10.38	6.43	1.78	43.9	11.08	6.07	1.91	50
	6	9.22	6.25	1.32	24.1	8.1	7.15	1.16	18.6	9.04	6.6	1.3	23.1	9.84	6.15	1.41	27.4	10.52	5.79	1.51	31.4
	7	8.68	5.97	1.07	15.7	7.51	6.85	0.92	11.7	8.41	6.37	1.03	14.7	9.21	5.91	1.13	17.6	9.85	5.55	1.21	20.2
9	3	10.11	6.66	2.9	115.6	8.89	7.53	2.55	89.5	9.82	6.99	2.82	109.2	10.66	6.55	3.06	128.7	11.35	6.21	3.25	145.8
	4	9.54	6.42	2.05	57.9	8.37	7.3	1.8	44.6	9.25	6.78	1.99	54.5	10.05	6.37	2.16	64.3	10.76	5.98	2.31	73.8
	5	9.03	6.15	1.55	33.2	7.74	7.14	1.33	24.4	8.74	6.55	1.5	31.1	9.52	6.1	1.64	36.9	10.24	5.71	1.76	42.7
	6	8.43	5.92	1.21	20.1	7.15	6.91	1.03	14.5	8.13	6.34	1.16	18.7	9	5.82	1.29	22.9	9.7	5.44	1.39	26.6
	7	7.8	5.64	0.96	12.6	6.67	6.67	0.82	9.3	7.53	6.06	0.92	11.8	8.34	5.64	1.02	14.5	9.03	5.2	1.11	16.9
10	3	9.27	6.31	2.66	97.2	7.98	7.24	2.29	72	8.89	6.73	2.55	89.5	9.79	6.28	2.81	108.5	10.55	5.88	3.03	126.1
	4	8.7	6.07	1.87	48.2	7.38	7.09	1.59	34.7	8.4	6.51	1.81	44.9	9.25	6.04	1.99	54.5	9.94	5.65	2.14	62.9
	5	8.13	5.88	1.4	26.9	6.91	6.91	1.19	19.5	7.78	6.3	1.34	24.7	8.67	5.8	1.49	30.6	9.42	5.4	1.62	36.1
	6	7.57	5.62	1.09	16.2	6.55	6.55	0.94	12.2	7.23	6.06	1.04	14.8	8.1	5.49	1.16	18.6	8.8	5.13	1.26	21.9
	7	6.91	5.38	0.85	9.9	6.16	6.16	0.76	7.9	6.58	5.83	0.81	9	7.42	5.32	0.91	11.5	8.23	4.87	1.01	14.1

FWC012 (cont.)

11	3	8.37	6.03	2.4	79.2	7.09	7.09	2.03	56.9	8.07	6.42	2.31	73.7	8.91	6	2.55	89.8	9.7	5.56	2.78	106.5
	4	7.84	5.82	1.69	39.2	6.75	6.75	1.45	29	7.53	6.18	1.62	36.1	8.38	5.71	1.8	44.7	9.16	5.34	1.97	53.4
	5	7.24	5.59	1.25	21.4	6.42	6.42	1.1	16.8	6.91	6.03	1.19	19.5	7.8	5.47	1.34	24.8	8.56	5.08	1.47	29.9
	6	6.6	5.37	0.95	12.3	6.01	6.01	0.86	10.2	6.34	5.76	0.91	11.4	7.2	5.29	1.03	14.7	7.95	4.83	1.14	17.9
	7	5.88	5.17	0.72	7.2	5.67	5.67	0.7	6.7	5.67	5.67	0.7	6.7	6.52	5.02	0.8	8.9	7.32	4.54	0.9	11.1
12	3	7.48	5.74	2.14	63.4	6.57	6.57	1.88	48.8	7.12	6.19	2.04	57.4	8.07	5.65	2.31	73.7	8.82	5.26	2.53	88
	4	6.93	5.55	1.49	30.6	6.25	6.25	1.34	24.9	6.58	5.98	1.42	27.6	7.5	5.44	1.61	35.8	8.29	5.02	1.78	43.8
	5	6.33	5.35	1.09	16.3	5.98	5.98	1.03	14.6	6	5.79	1.03	14.7	6.91	5.25	1.19	19.5	7.69	4.8	1.32	24.1
	6	5.62	5.17	0.81	9	5.56	5.56	0.8	8.8	5.56	5.46	0.8	8.8	6.27	5.02	0.9	11.1	7.05	4.53	1.01	14.1
	7	4.98	4.98	0.61	5.2	5.17	5.17	0.64	5.6	5.13	5.13	0.63	5.5	5.47	4.77	0.67	6.2	6.4	4.26	0.79	8.5
13	3	6.54	5.49	1.87	48.4	6.06	6.06	1.74	41.5	6.16	5.95	1.77	43	7.11	5.38	2.04	57.2	7.95	4.96	2.28	71.5
	4	5.98	5.28	1.29	22.8	5.77	5.77	1.24	21.2	5.77	5.67	1.24	21.2	6.54	5.25	1.41	27.2	7.38	4.72	1.59	34.7
	5	5.34	5.22	0.92	11.6	5.38	5.38	0.93	11.8	5.4	5.4	0.93	11.9	5.97	4.99	1.03	14.5	6.79	4.5	1.17	18.8
	6	4.86	4.86	0.7	6.7	5.02	5.02	0.72	7.1	5.02	5.02	0.72	7.1	5.26	4.81	0.75	7.8	6.13	4.26	0.88	10.6
	7	4.44	4.44	0.55	4.1	4.6	4.6	0.57	4.4	4.62	4.62	0.57	4.4	4.62	4.51	0.57	4.4	5.37	4.02	0.66	6



Capacity Tables

FWC015																					
EW T	Δt	Air inlet condition																			
		DB:26.7 WB:19.4				DB:27 WB:18				DB:27 WB:19				DB:27 WB:20				DB:29 WB:21			
		TC	SC	WF	WP D	TC	SC	WF	WP D	TC	SC	WF	WP D	TC	SC	WF	WP D	TC	SC	WF	WP D
5	3	16.44	9.9	4.71	180.4	15.08	10.89	4.32	151.8	16.1	10.33	4.62	173.1	17.03	9.88	4.88	193.7	17.98	9.44	5.15	215.9
	4	15.8	9.61	3.4	93.8	14.52	10.55	3.12	79.2	15.54	10.03	3.34	90.7	16.46	9.61	3.54	101.7	17.27	9.12	3.71	112.1
	5	15.12	9.27	2.6	54.9	13.83	10.31	2.38	46	14.82	9.72	2.55	52.8	15.8	9.25	2.72	60	16.6	14.35	2.86	66.3
	6	14.45	9.01	2.07	34.8	13.16	9.96	1.89	28.9	14.17	9.38	2.03	33.5	15.15	8.9	2.17	38.3	15.88	8.45	2.28	42.1
	7	13.74	8.58	1.69	23.1	12.43	9.72	1.53	19	13.42	9.07	1.65	22.1	14.41	8.58	1.77	25.5	15.21	8.12	1.87	28.4
6	3	15.51	9.51	4.45	160.5	14.13	10.48	4.05	133.3	15.15	9.92	4.34	153.3	16.14	9.46	4.63	173.9	17.07	9.01	4.89	194.6
	4	14.89	9.18	3.2	83.3	13.5	10.15	2.9	68.4	14.54	9.59	3.13	79.4	15.51	9.16	3.33	90.3	16.38	8.71	3.52	100.8
	5	14.17	8.84	2.44	48.2	12.88	9.87	2.22	39.9	13.89	9.31	2.39	46.4	14.8	8.77	2.55	52.6	15.73	8.38	2.71	59.5
	6	13.5	8.58	1.93	30.4	12.21	9.53	1.75	24.9	13.18	8.95	1.89	29	14.17	8.43	2.03	33.5	14.95	8	2.14	37.3
	7	12.79	8.19	1.57	20.1	11.45	9.29	1.41	16.1	12.47	8.71	1.53	19.1	13.37	8.15	1.64	21.9	14.28	7.67	1.75	25
7	3	14.48	9.05	4.15	140	13.14	10.07	3.77	115.3	14.17	9.51	4.06	134	15.21	9.03	4.36	154.4	16.06	8.56	4.61	172.3
	4	13.89	8.73	2.99	72.4	12.45	9.85	2.68	58.3	13.51	9.2	2.91	68.6	14.52	8.73	3.12	79.2	15.43	8.28	3.32	89.4
	5	13.18	8.41	2.27	41.8	11.82	9.53	2.03	33.6	12.9	8.88	2.22	40	13.83	8.34	2.38	46	14.69	7.95	2.53	51.9
	6	12.49	8.17	1.79	26	11.13	9.23	1.6	20.7	12.27	8.56	1.76	25.1	13.2	8.02	1.89	29.1	14.02	7.59	2.01	32.8
	7	11.82	7.8	1.45	17.1	10.39	8.9	1.28	13.2	11.43	8.3	1.4	16	12.42	7.76	1.53	18.9	13.27	7.28	1.63	21.6
8	3	13.5	8.66	3.87	121.6	12.04	9.72	3.45	96.9	13.18	9.07	3.78	116	14.18	8.56	4.07	134.3	15.1	8.1	4.33	152.2
	4	12.9	8.36	2.77	62.5	11.45	9.4	2.46	49.2	12.51	8.86	2.69	58.8	13.5	8.28	2.9	68.4	14.37	7.86	3.09	77.6
	5	12.25	8	2.11	36.1	10.74	9.12	1.85	27.7	11.88	8.49	2.04	33.9	12.88	7.99	2.22	39.9	13.76	7.54	2.37	45.5
	6	11.45	7.76	1.64	21.9	10.05	8.88	1.44	16.9	11.22	8.19	1.61	21	12.21	7.63	1.75	24.9	13.07	7.19	1.87	28.5
	7	10.78	7.41	1.32	14.3	9.33	8.51	1.15	10.7	10.44	7.91	1.28	13.4	11.43	7.33	1.4	16	12.23	6.89	1.5	18.3
9	3	12.55	8.26	3.6	105.1	11.04	9.34	3.16	81.4	12.19	8.67	3.5	99.3	13.24	8.13	3.79	117	14.09	7.71	4.04	132.6
	4	11.84	7.97	2.55	52.6	10.39	9.07	2.23	40.5	11.49	8.41	2.47	49.5	12.47	7.91	2.68	58.4	13.37	7.43	2.87	67.1
	5	11.21	7.63	1.93	30.2	9.61	8.86	1.65	22.2	10.85	8.13	1.87	28.3	11.82	7.58	2.03	33.6	12.71	7.09	2.19	38.9
	6	10.46	7.35	1.5	18.3	8.88	8.58	1.27	13.2	10.09	7.87	1.45	17	11.17	7.22	1.6	20.8	12.04	6.76	1.73	24.2
	7	9.68	7	1.19	11.5	8.28	8.28	1.02	8.4	9.34	7.52	1.15	10.7	10.35	7	1.27	13.1	11.21	6.46	1.38	15.4
10	3	11.5	7.84	3.3	88.4	9.9	8.99	2.84	65.5	11.04	8.36	3.16	81.4	12.16	7.8	3.48	98.7	13.1	7.3	3.76	114.7
	4	10.8	7.54	2.32	43.8	9.16	8.8	1.97	31.5	10.42	8.08	2.24	40.8	11.49	7.5	2.47	49.5	12.34	7.02	2.65	57.2
	5	10.09	7.3	1.74	24.5	8.58	8.58	1.48	17.7	9.66	7.82	1.66	22.4	10.76	7.2	1.85	27.8	11.69	6.7	2.01	32.9
	6	9.4	6.98	1.35	14.8	8.13	8.13	1.17	11.1	8.97	7.52	1.29	13.4	10.05	6.81	1.44	16.9	10.93	6.37	1.57	19.9
	7	8.58	6.68	1.05	9	7.65	7.65	0.94	7.2	8.17	7.24	1	8.2	9.21	6.61	1.13	10.4	10.22	6.05	1.26	12.8

FWC015 (cont.)

11	3	10.39	7.48	2.98	72	8.8	8.8	2.52	51.8	10.01	7.97	2.87	67	11.06	7.45	3.17	81.6	12.04	6.91	3.45	96.9
	4	9.74	7.22	2.09	35.6	8.38	8.38	1.8	26.4	9.34	7.67	2.01	32.8	10.41	7.09	2.24	40.7	11.37	6.63	2.45	48.6
	5	8.99	6.94	1.55	19.4	7.97	7.97	1.37	15.3	8.58	7.48	1.48	17.7	9.68	6.79	1.66	22.5	10.63	6.31	1.83	27.2
	6	8.19	6.66	1.17	11.2	7.46	7.46	1.07	9.3	7.87	7.15	1.13	10.4	8.94	6.57	1.28	13.3	9.87	5.99	1.41	16.3
	7	7.3	6.42	0.9	6.5	7.04	7.04	0.86	6.1	7.04	7.04	0.86	6.1	8.1	6.24	0.99	8	9.08	5.64	1.12	10.1
12	3	9.29	7.13	2.66	57.6	8.15	8.15	2.34	44.4	8.84	7.69	2.53	52.2	10.01	7.02	2.87	67	10.95	6.53	3.14	80
	4	8.6	6.89	1.85	27.8	7.76	7.76	1.67	22.6	8.17	7.43	1.76	25.1	9.31	6.76	2	32.5	10.29	6.24	2.21	39.8
	5	7.86	6.65	1.35	14.8	7.43	7.43	1.28	13.3	7.45	7.19	1.28	13.3	8.58	6.52	1.48	17.7	9.55	5.96	1.64	21.9
	6	6.98	6.42	1	8.1	6.91	6.91	0.99	8	6.91	6.78	0.99	8	7.78	6.24	1.12	10.1	8.75	5.62	1.25	12.8
	7	6.18	6.18	0.76	4.7	6.42	6.42	0.79	5.1	6.37	6.37	0.78	5	6.79	5.92	0.83	5.7	7.95	5.29	0.98	7.8
13	3	8.12	6.81	2.33	44	7.52	7.52	2.16	37.8	7.65	7.39	2.19	39.1	8.82	6.68	2.53	52	9.87	6.16	2.83	65
	4	7.43	6.55	1.6	20.7	7.17	7.17	1.54	19.3	7.17	7.04	1.54	19.3	8.12	6.52	1.74	24.7	9.16	5.86	1.97	31.5
	5	6.63	6.48	1.14	10.6	6.68	6.68	1.15	10.7	6.7	6.7	1.15	10.8	7.41	6.2	1.27	13.2	8.43	5.58	1.45	17.1
	6	6.03	6.03	0.86	6.1	6.24	6.24	0.89	6.5	6.24	6.24	0.89	6.5	6.53	5.98	0.94	7.1	7.61	5.29	1.09	9.7
	7	5.51	5.51	0.68	3.7	5.71	5.71	0.7	4	5.73	5.73	0.7	4	5.73	5.6	0.7	4	6.66	4.99	0.82	5.5



Capacity Tables

FWH002																					
E W T	Δt	Air inlet condition																			
		DB:26.7 WB:19.4				DB:27 WB:18				DB:27 WB:19				DB:27 WB:20				DB:29 WB:21			
		TC	SC	W F	W PD	TC	SC	W F	W PD	TC	SC	W F	W PD	TC	SC	W F	W PD	TC	SC	W F	W PD
5	3	2.8	1.69	0.8	54.1	2.57	1.86	0.74	45.5	2.75	1.76	0.79	51.9	2.9	1.69	0.83	58.1	3.07	1.61	0.88	64.8
	4	2.7	1.64	0.58	28.1	2.48	1.8	0.53	23.8	2.65	1.71	0.57	27.2	2.81	1.64	0.6	30.5	2.95	1.56	0.63	33.6
	5	2.58	1.58	0.44	16.5	2.36	1.76	0.41	13.8	2.53	1.66	0.43	15.8	2.7	1.58	0.46	18	2.83	2.45	0.49	19.9
	6	2.46	1.54	0.35	10.5	2.24	1.7	0.32	8.7	2.42	1.6	0.35	10.1	2.58	1.52	0.37	11.5	2.71	1.44	0.39	12.6
	7	2.34	1.46	0.29	6.9	2.12	1.66	0.26	5.7	2.29	1.55	0.28	6.6	2.46	1.46	0.3	7.6	2.59	1.38	0.32	8.5
6	3	2.64	1.62	0.76	48.2	2.41	1.79	0.69	40	2.58	1.69	0.74	46	2.75	1.61	0.79	52.2	2.91	1.54	0.83	58.4
	4	2.54	1.57	0.55	25	2.3	1.73	0.49	20.5	2.48	1.63	0.53	23.8	2.64	1.56	0.57	27.1	2.79	1.49	0.6	30.2
	5	2.42	1.51	0.42	14.5	2.2	1.68	0.38	12	2.37	1.59	0.41	13.9	2.52	1.5	0.43	15.8	2.68	1.43	0.46	17.8
	6	2.3	1.46	0.33	9.1	2.08	1.63	0.3	7.5	2.25	1.53	0.32	8.7	2.42	1.44	0.35	10.1	2.55	1.37	0.37	11.2
	7	2.18	1.4	0.27	6	1.95	1.58	0.24	4.8	2.13	1.49	0.26	5.7	2.28	1.39	0.28	6.6	2.43	1.31	0.3	7.5
7	3	2.47	1.54	0.71	42	2.24	1.72	0.64	34.6	2.42	1.62	0.69	40.2	2.59	1.54	0.74	46.3	2.74	1.46	0.79	51.7
	4	2.37	1.49	0.51	21.7	2.12	1.68	0.46	17.5	2.3	1.57	0.5	20.6	2.48	1.49	0.53	23.8	2.63	1.41	0.57	26.8
	5	2.25	1.43	0.39	12.5	2.02	1.63	0.35	10.1	2.2	1.51	0.38	12	2.36	1.42	0.41	13.8	2.5	1.36	0.43	15.6
	6	2.13	1.39	0.31	7.8	1.9	1.57	0.27	6.2	2.09	1.46	0.3	7.5	2.25	1.37	0.32	8.7	2.39	1.3	0.34	9.8
	7	2.02	1.33	0.25	5.1	1.77	1.52	0.22	4	1.95	1.42	0.24	4.8	2.12	1.32	0.26	5.7	2.26	1.24	0.28	6.5
8	3	2.3	1.48	0.66	36.5	2.05	1.66	0.59	29.1	2.25	1.55	0.64	34.8	2.42	1.46	0.69	40.3	2.57	1.38	0.74	45.7
	4	2.2	1.43	0.47	18.8	1.95	1.6	0.42	14.8	2.13	1.51	0.46	17.6	2.3	1.41	0.49	20.5	2.45	1.34	0.53	23.3
	5	2.09	1.37	0.36	10.8	1.83	1.56	0.32	8.3	2.03	1.45	0.35	10.2	2.2	1.36	0.38	12	2.35	1.29	0.4	13.7
	6	1.95	1.32	0.28	6.6	1.71	1.51	0.25	5.1	1.91	1.4	0.27	6.3	2.08	1.3	0.3	7.5	2.23	1.23	0.32	8.6
	7	1.84	1.26	0.23	4.3	1.59	1.45	0.2	3.2	1.78	1.35	0.22	4	1.95	1.25	0.24	4.8	2.09	1.17	0.26	5.5
9	3	2.14	1.41	0.61	31.5	1.88	1.59	0.54	24.4	2.08	1.48	0.6	29.8	2.26	1.39	0.65	35.1	2.4	1.31	0.69	39.8
	4	2.02	1.36	0.43	15.8	1.77	1.55	0.38	12.2	1.96	1.43	0.42	14.9	2.13	1.35	0.46	17.5	2.28	1.27	0.49	20.1
	5	1.91	1.3	0.33	9.1	1.64	1.51	0.28	6.7	1.85	1.39	0.32	8.5	2.02	1.29	0.35	10.1	2.17	1.21	0.37	11.7
	6	1.78	1.25	0.26	5.5	1.51	1.46	0.22	4	1.72	1.34	0.25	5.1	1.9	1.23	0.27	6.3	2.05	1.15	0.29	7.3
	7	1.65	1.19	0.2	3.5	1.41	/	0.17	2.5	1.59	1.28	0.2	3.2	1.77	1.19	0.22	3.9	1.91	1.1	0.23	4.6
10	3	1.96	1.34	0.56	26.5	1.69	1.53	0.48	19.6	1.88	1.43	0.54	24.4	2.07	1.33	0.59	29.6	2.23	1.24	0.64	34.4
	4	1.84	1.29	0.4	13.1	1.56	1.5	0.34	9.5	1.78	1.38	0.38	12.2	1.96	1.28	0.42	14.9	2.1	1.2	0.45	17.2
	5	1.72	1.24	0.3	7.3	1.46	/	0.25	5.3	1.65	1.33	0.28	6.7	1.83	1.23	0.32	8.4	1.99	1.14	0.34	9.9
	6	1.6	1.19	0.23	4.4	1.39	/	0.2	3.3	1.53	1.28	0.22	4	1.71	1.16	0.25	5.1	1.86	1.09	0.27	6
	7	1.46	1.14	0.18	2.7	1.3	/	0.16	2.2	1.39	1.23	0.17	2.5	1.57	1.13	0.19	3.1	1.74	1.03	0.21	3.8
11	3	1.77	1.28	0.51	21.6	1.5	/	0.43	15.5	1.71	1.36	0.49	20.1	1.89	1.27	0.54	24.5	2.05	1.18	0.59	29.1
	4	1.66	1.23	0.36	10.7	1.43	/	0.31	7.9	1.59	1.31	0.34	9.8	1.77	1.21	0.38	12.2	1.94	1.13	0.42	14.6
	5	1.53	1.18	0.26	5.8	1.36	/	0.23	4.6	1.46	1.28	0.25	5.3	1.65	1.16	0.28	6.8	1.81	1.08	0.31	8.2
	6	1.4	1.14	0.2	3.4	1.27	/	0.18	2.8	1.34	1.22	0.19	3.1	1.52	1.12	0.22	4	1.68	1.02	0.24	4.9
	7	1.24	1.1	0.15	2	1.2	/	0.15	1.8	1.2	/	0.15	1.8	1.38	1.06	0.17	2.4	1.55	0.96	0.19	3

FWH002 (cont.)

12	3	1.58	1.22	0.45	17.3	1.39	/	0.4	13.3	1.51	1.31	0.43	15.7	1.71	1.2	0.49	20.1	1.87	1.11	0.54	24
	4	1.47	1.17	0.32	8.3	1.32	/	0.28	6.8	1.39	1.27	0.3	7.5	1.59	1.15	0.34	9.8	1.76	1.06	0.38	11.9
	5	1.34	1.13	0.23	4.5	1.27	/	0.22	4	1.27	1.23	0.22	4	1.46	1.11	0.25	5.3	1.63	1.02	0.28	6.6
	6	1.19	1.1	0.17	2.4	1.18	/	0.17	2.4	1.18	1.16	0.17	2.4	1.33	1.06	0.19	3	1.49	0.96	0.21	3.8
	7	1.05	/	0.13	1.4	1.1	/	0.13	1.5	1.09	/	0.13	1.5	1.16	1.01	0.14	1.7	1.36	0.9	0.17	2.3
13	3	1.38	1.16	0.4	13.2	1.28	/	0.37	11.3	1.3	1.26	0.37	11.7	1.5	1.14	0.43	15.6	1.68	1.05	0.48	19.5
	4	1.27	1.12	0.27	6.2	1.22	/	0.26	5.8	1.22	1.2	0.26	5.8	1.38	1.11	0.3	7.4	1.56	1	0.34	9.5
	5	1.13	1.1	0.19	3.2	1.14	/	0.2	3.2	1.14	/	0.2	3.2	1.26	1.06	0.22	4	1.44	0.95	0.25	5.1
	6	1.03	/	0.15	1.8	1.06	/	0.15	2	1.06	/	0.15	2	1.11	1.02	0.16	2.1	1.3	0.9	0.19	2.9
	7	0.94	/	0.12	1.1	0.97	/	0.12	1.2	0.98	/	0.12	1.2	0.98	0.96	0.12	1.2	1.14	0.85	0.14	1.6

Capacity Tables

FWH003																					
E W T	Δt	Air inlet condition																			
		DB:26.7 WB:19.4				DB:27 WB:18				DB:27 WB:19				DB:27 WB:20				DB:29 WB:21			
		TC	SC	W F	W PD	TC	SC	W F	W PD	TC	SC	W F	W PD	TC	SC	W F	W PD	TC	SC	W F	W PD
5	3	3.36	2.03	0.96	81.2	3.09	2.23	0.88	68.3	3.3	2.11	0.94	77.9	3.49	2.02	1	87.2	3.68	1.93	1.05	97.2
	4	3.23	1.97	0.7	42.2	2.97	2.16	0.64	35.6	3.18	2.05	0.68	40.8	3.37	1.97	0.72	45.8	3.54	1.87	0.76	50.4
	5	3.09	1.9	0.53	24.7	2.83	2.11	0.49	20.7	3.03	1.99	0.52	23.8	3.23	1.89	0.56	27	3.4	2.94	0.58	29.8
	6	2.96	1.84	0.42	15.7	2.69	2.04	0.39	13	2.9	1.92	0.42	15.1	3.1	1.82	0.44	17.3	3.25	1.73	0.47	18.9
	7	2.81	1.76	0.35	10.4	2.54	1.99	0.31	8.5	2.75	1.86	0.34	9.9	2.95	1.76	0.36	11.5	3.11	1.66	0.38	12.8
6	3	3.17	1.95	0.91	72.2	2.89	2.14	0.83	60	3.1	2.03	0.89	69	3.3	1.94	0.95	78.3	3.49	1.84	1	87.6
	4	3.05	1.88	0.66	37.5	2.76	2.08	0.59	30.8	2.98	1.96	0.64	35.7	3.17	1.87	0.68	40.6	3.35	1.78	0.72	45.4
	5	2.9	1.81	0.5	21.7	2.64	2.02	0.45	18	2.84	1.9	0.49	20.9	3.03	1.79	0.52	23.7	3.22	1.71	0.55	26.8
	6	2.76	1.76	0.4	13.7	2.5	1.95	0.36	11.2	2.7	1.83	0.39	13.1	2.9	1.73	0.42	15.1	3.06	1.64	0.44	16.8
	7	2.62	1.68	0.32	9	2.34	1.9	0.29	7.2	2.55	1.78	0.31	8.6	2.74	1.67	0.34	9.9	2.92	1.57	0.36	11.3
7	3	2.96	1.85	0.85	63	2.69	2.06	0.77	51.9	2.9	1.95	0.83	60.3	3.11	1.85	0.89	69.5	3.29	1.75	0.94	77.5
	4	2.84	1.79	0.61	32.6	2.55	2.02	0.55	26.2	2.77	1.88	0.59	30.9	2.97	1.79	0.64	35.6	3.16	1.7	0.68	40.3
	5	2.7	1.72	0.46	18.8	2.42	1.95	0.42	15.1	2.64	1.82	0.45	18	2.83	1.71	0.49	20.7	3.01	1.63	0.52	23.3
	6	2.56	1.67	0.37	11.7	2.28	1.89	0.33	9.3	2.51	1.75	0.36	11.3	2.7	1.64	0.39	13.1	2.87	1.55	0.41	14.8
	7	2.42	1.6	0.3	7.7	2.13	1.82	0.26	6	2.34	1.7	0.29	7.2	2.54	1.59	0.31	8.5	2.72	1.49	0.33	9.7
8	3	2.76	1.77	0.79	54.7	2.46	1.99	0.71	43.6	2.7	1.86	0.77	52.2	2.9	1.75	0.83	60.5	3.09	1.66	0.89	68.5
	4	2.64	1.71	0.57	28.1	2.34	1.92	0.5	22.2	2.56	1.81	0.55	26.5	2.76	1.7	0.59	30.8	2.94	1.61	0.63	34.9
	5	2.51	1.64	0.43	16.2	2.2	1.87	0.38	12.5	2.43	1.74	0.42	15.3	2.64	1.63	0.45	18	2.82	1.54	0.48	20.5
	6	2.34	1.59	0.34	9.8	2.06	1.82	0.29	7.6	2.3	1.68	0.33	9.5	2.5	1.56	0.36	11.2	2.67	1.47	0.38	12.8
	7	2.21	1.52	0.27	6.4	1.91	1.74	0.23	4.8	2.14	1.62	0.26	6	2.34	1.5	0.29	7.2	2.5	1.41	0.31	8.3
9	3	2.57	1.69	0.74	47.3	2.26	1.91	0.65	36.6	2.5	1.78	0.72	44.7	2.71	1.66	0.78	52.6	2.88	1.58	0.83	59.7
	4	2.42	1.63	0.52	23.7	2.13	1.86	0.46	18.2	2.35	1.72	0.51	22.3	2.55	1.62	0.55	26.3	2.74	1.52	0.59	30.2
	5	2.29	1.56	0.39	13.6	1.97	1.81	0.34	10	2.22	1.66	0.38	12.7	2.42	1.55	0.42	15.1	2.6	1.45	0.45	17.5
	6	2.14	1.5	0.31	8.2	1.82	1.76	0.26	5.9	2.06	1.61	0.3	7.7	2.29	1.48	0.33	9.4	2.46	1.38	0.35	10.9
	7	1.98	1.43	0.24	5.2	1.7	/	0.21	3.8	1.91	1.54	0.23	4.8	2.12	1.43	0.26	5.9	2.29	1.32	0.28	6.9
10	3	2.35	1.6	0.67	39.8	2.03	1.84	0.58	29.5	2.26	1.71	0.65	36.6	2.49	1.6	0.71	44.4	2.68	1.49	0.77	51.6
	4	2.21	1.54	0.48	19.7	1.87	1.8	0.4	14.2	2.13	1.65	0.46	18.4	2.35	1.54	0.51	22.3	2.53	1.44	0.54	25.7
	5	2.06	1.49	0.36	11	1.76	/	0.3	8	1.98	1.6	0.34	10.1	2.2	1.47	0.38	12.5	2.39	1.37	0.41	14.8
	6	1.92	1.43	0.28	6.6	1.66	/	0.24	5	1.84	1.54	0.26	6.1	2.06	1.39	0.29	7.6	2.24	1.3	0.32	9
	7	1.76	1.37	0.22	4.1	1.57	/	0.19	3.2	1.67	1.48	0.21	3.7	1.89	1.35	0.23	4.7	2.09	1.24	0.26	5.8
11	3	2.13	1.53	0.61	32.4	1.8	/	0.52	23.3	2.05	1.63	0.59	30.1	2.26	1.52	0.65	36.7	2.46	1.41	0.71	43.6
	4	1.99	1.48	0.43	16	1.71	/	0.37	11.9	1.91	1.57	0.41	14.8	2.13	1.45	0.46	18.3	2.33	1.36	0.5	21.9
	5	1.84	1.42	0.32	8.7	1.63	/	0.28	6.9	1.76	1.53	0.3	8	1.98	1.39	0.34	10.1	2.18	1.29	0.37	12.2
	6	1.68	1.36	0.24	5	1.53	/	0.22	4.2	1.61	1.46	0.23	4.7	1.83	1.34	0.26	6	2.02	1.23	0.29	7.3
	7	1.49	1.31	0.18	2.9	1.44	/	0.18	2.7	1.44	/	0.18	2.7	1.66	1.28	0.2	3.6	1.86	1.15	0.23	4.6

FWH003 (cont.)

12	3	1.9	1.46	0.54	25.9	1.67	/	0.48	20	1.81	1.57	0.52	23.5	2.05	1.44	0.59	30.1	2.24	1.34	0.64	36
	4	1.76	1.41	0.38	12.5	1.59	/	0.34	10.2	1.67	1.52	0.36	11.3	1.9	1.38	0.41	14.6	2.11	1.28	0.45	17.9
	5	1.61	1.36	0.28	6.7	1.52	/	0.26	6	1.52	1.47	0.26	6	1.76	1.33	0.3	8	1.95	1.22	0.34	9.9
	6	1.43	1.31	0.2	3.7	1.41	/	0.2	3.6	1.41	1.39	0.2	3.6	1.59	1.28	0.23	4.6	1.79	1.15	0.26	5.8
	7	1.26	/	0.16	2.1	1.31	/	0.16	2.3	1.3	/	0.16	2.2	1.39	1.21	0.17	2.6	1.63	1.08	0.2	3.5
13	3	1.66	1.39	0.48	19.8	1.54	/	0.44	17	1.57	1.51	0.45	17.6	1.81	1.37	0.52	23.4	2.02	1.26	0.58	29.3
	4	1.52	1.34	0.33	9.3	1.47	/	0.32	8.7	1.47	1.44	0.32	8.7	1.66	1.33	0.36	11.1	1.87	1.2	0.4	14.2
	5	1.36	1.33	0.23	4.8	1.37	/	0.24	4.8	1.37	/	0.24	4.9	1.52	1.27	0.26	5.9	1.73	1.14	0.3	7.7
	6	1.23	/	0.18	2.7	1.28	/	0.18	2.9	1.28	/	0.18	2.9	1.34	1.22	0.19	3.2	1.56	1.08	0.22	4.4
	7	1.13	/	0.14	1.7	1.17	/	0.14	1.8	1.17	/	0.14	1.8	1.17	1.15	0.14	1.8	1.36	1.02	0.17	2.5

Capacity Tables

FWH004																					
E W T	Δt	Air inlet condition																			
		DB:26.7 WB:19.4				DB:27 WB:18				DB:27 WB:19				DB:27 WB:20				DB:29 WB:21			
		TC	SC	W F	W PD	TC	SC	W F	W PD	TC	SC	W F	W PD	TC	SC	W F	W PD	TC	SC	W F	W PD
5	3	3.92	2.36	1.13	99.2	3.6	2.6	1.03	83.5	3.84	2.47	1.1	95.2	4.07	2.36	1.17	106.5	4.29	2.25	1.23	118.7
	4	3.77	2.29	0.81	51.6	3.47	2.52	0.75	43.6	3.71	2.4	0.8	49.9	3.93	2.29	0.84	55.9	4.12	2.18	0.89	61.6
	5	3.61	2.21	0.62	30.2	3.3	2.46	0.57	25.3	3.54	2.32	0.61	29	3.77	2.21	0.65	33	3.96	3.43	0.68	36.5
	6	3.45	2.15	0.49	19.2	3.14	2.38	0.45	15.9	3.38	2.24	0.48	18.4	3.62	2.12	0.52	21.1	3.79	2.02	0.54	23.2
	7	3.28	2.05	0.4	12.7	2.97	2.32	0.36	10.4	3.2	2.16	0.39	12.2	3.44	2.05	0.42	14	3.63	1.94	0.45	15.6
6	3	3.7	2.27	1.06	88.3	3.37	2.5	0.97	73.3	3.62	2.37	1.04	84.3	3.85	2.26	1.1	95.7	4.08	2.15	1.17	107
	4	3.56	2.19	0.76	45.8	3.22	2.42	0.69	37.6	3.47	2.29	0.75	43.7	3.7	2.19	0.8	49.7	3.91	2.08	0.84	55.4
	5	3.38	2.11	0.58	26.5	3.08	2.36	0.53	21.9	3.32	2.22	0.57	25.5	3.53	2.09	0.61	29	3.76	2	0.65	32.7
	6	3.22	2.05	0.46	16.7	2.92	2.28	0.42	13.7	3.15	2.14	0.45	16	3.38	2.01	0.48	18.4	3.57	1.91	0.51	20.5
	7	3.05	1.96	0.38	11	2.73	2.22	0.34	8.8	2.98	2.08	0.37	10.5	3.19	1.95	0.39	12.1	3.41	1.83	0.42	13.8
7	3	3.46	2.16	0.99	77	3.14	2.4	0.9	63.4	3.38	2.27	0.97	73.7	3.63	2.16	1.04	84.9	3.84	2.04	1.1	94.8
	4	3.32	2.08	0.71	39.8	2.97	2.35	0.64	32	3.23	2.2	0.69	37.7	3.47	2.08	0.75	43.6	3.68	1.98	0.79	49.2
	5	3.15	2.01	0.54	23	2.82	2.28	0.49	18.5	3.08	2.12	0.53	22	3.3	1.99	0.57	25.3	3.51	1.9	0.6	28.5
	6	2.98	1.95	0.43	14.3	2.66	2.2	0.38	11.4	2.93	2.04	0.42	13.8	3.15	1.92	0.45	16	3.35	1.81	0.48	18
	7	2.82	1.86	0.35	9.4	2.48	2.12	0.3	7.3	2.73	1.98	0.34	8.8	2.96	1.85	0.36	10.4	3.17	1.74	0.39	11.9
8	3	3.22	2.07	0.92	66.9	2.88	2.32	0.82	53.3	3.15	2.16	0.9	63.8	3.39	2.04	0.97	73.9	3.6	1.93	1.03	83.7
	4	3.08	2	0.66	34.4	2.73	2.24	0.59	27.1	2.99	2.12	0.64	32.3	3.22	1.98	0.69	37.6	3.43	1.88	0.74	42.7
	5	2.92	1.91	0.5	19.8	2.56	2.18	0.44	15.3	2.84	2.03	0.49	18.7	3.08	1.91	0.53	21.9	3.28	1.8	0.56	25
	6	2.73	1.85	0.39	12	2.4	2.12	0.34	9.3	2.68	1.96	0.38	11.6	2.92	1.82	0.42	13.7	3.12	1.72	0.45	15.7
	7	2.57	1.77	0.32	7.8	2.23	2.03	0.27	5.9	2.49	1.89	0.31	7.4	2.73	1.75	0.34	8.8	2.92	1.64	0.36	10.1
9	3	3	1.97	0.86	57.8	2.64	2.23	0.76	44.8	2.91	2.07	0.83	54.6	3.16	1.94	0.91	64.3	3.36	1.84	0.96	72.9
	4	2.83	1.9	0.61	29	2.48	2.16	0.53	22.3	2.74	2.01	0.59	27.3	2.98	1.89	0.64	32.1	3.19	1.77	0.69	36.9
	5	2.68	1.82	0.46	16.6	2.29	2.12	0.39	12.2	2.59	1.94	0.45	15.6	2.82	1.81	0.49	18.5	3.04	1.69	0.52	21.4
	6	2.5	1.76	0.36	10.1	2.12	2.05	0.3	7.2	2.41	1.88	0.35	9.4	2.67	1.72	0.38	11.5	2.88	1.61	0.41	13.3
	7	2.31	1.67	0.28	6.3	1.98	/	0.24	4.6	2.23	1.8	0.27	5.9	2.47	1.67	0.3	7.2	2.68	1.54	0.33	8.5
10	3	2.75	1.87	0.79	48.6	2.36	2.15	0.68	36	2.64	2	0.76	44.8	2.9	1.86	0.83	54.3	3.13	1.74	0.9	63.1
	4	2.58	1.8	0.55	24.1	2.19	2.1	0.47	17.3	2.49	1.93	0.54	22.5	2.74	1.79	0.59	27.3	2.95	1.68	0.63	31.5
	5	2.41	1.74	0.41	13.5	2.05	/	0.35	9.7	2.31	1.87	0.4	12.3	2.57	1.72	0.44	15.3	2.79	1.6	0.48	18.1
	6	2.24	1.67	0.32	8.1	1.94	/	0.28	6.1	2.14	1.8	0.31	7.4	2.4	1.63	0.34	9.3	2.61	1.52	0.37	11
	7	2.05	1.6	0.25	5	1.83	/	0.22	4	1.95	1.73	0.24	4.5	2.2	1.58	0.27	5.7	2.44	1.44	0.3	7
11	3	2.48	1.79	0.71	39.6	2.1	/	0.6	28.5	2.39	1.9	0.69	36.8	2.64	1.78	0.76	44.9	2.88	1.65	0.82	53.3
	4	2.32	1.72	0.5	19.6	2	/	0.43	14.5	2.23	1.83	0.48	18	2.48	1.69	0.53	22.4	2.72	1.58	0.58	26.7
	5	2.15	1.66	0.37	10.7	1.9	/	0.33	8.4	2.05	1.79	0.35	9.7	2.31	1.62	0.4	12.4	2.54	1.51	0.44	14.9
	6	1.96	1.59	0.28	6.2	1.78	/	0.26	5.1	1.88	1.71	0.27	5.7	2.13	1.57	0.31	7.3	2.36	1.43	0.34	8.9
	7	1.74	1.53	0.21	3.6	1.68	/	0.21	3.3	1.68	/	0.21	3.3	1.93	1.49	0.24	4.4	2.17	1.35	0.27	5.6

FWH004 (cont.)

12	3	2.22	1.7	0.64	31.7	1.95	/	0.56	24.4	2.11	1.84	0.61	28.7	2.39	1.68	0.69	36.8	2.61	1.56	0.75	44
	4	2.05	1.64	0.44	15.3	1.85	/	0.4	12.5	1.95	1.77	0.42	13.8	2.22	1.61	0.48	17.9	2.46	1.49	0.53	21.9
	5	1.88	1.59	0.32	8.2	1.77	/	0.31	7.3	1.78	1.72	0.31	7.3	2.05	1.56	0.35	9.7	2.28	1.42	0.39	12.1
	6	1.67	1.53	0.24	4.5	1.65	/	0.24	4.4	1.65	1.62	0.24	4.4	1.86	1.49	0.27	5.6	2.09	1.34	0.3	7
	7	1.48	/	0.18	2.6	1.53	/	0.19	2.8	1.52	/	0.19	2.7	1.62	1.41	0.2	3.1	1.9	1.26	0.23	4.3
13	3	1.94	1.63	0.56	24.2	1.8	/	0.51	20.8	1.83	1.76	0.52	21.5	2.11	1.6	0.6	28.6	2.36	1.47	0.68	35.7
	4	1.77	1.56	0.38	11.4	1.71	/	0.37	10.6	1.71	1.68	0.37	10.6	1.94	1.56	0.42	13.6	2.19	1.4	0.47	17.3
	5	1.58	1.55	0.27	5.8	1.6	/	0.27	5.9	1.6	/	0.28	5.9	1.77	1.48	0.3	7.3	2.01	1.33	0.35	9.4
	6	1.44	/	0.21	3.3	1.49	/	0.21	3.6	1.49	/	0.21	3.6	1.56	1.43	0.22	3.9	1.82	1.26	0.26	5.3
	7	1.32	/	0.16	2.1	1.36	/	0.17	2.2	1.37	/	0.17	2.2	1.37	1.34	0.17	2.2	1.59	1.19	0.2	3

Capacity Tables

FWH005																						
E W T	Δt	Air inlet condition																				
		DB:26.7 WB:19.4				DB:27 WB:18				DB:27 WB:19				DB:27 WB:20				DB:29 WB:21				
		TC	SC	W F	W PD	TC	SC	W F	W PD	TC	SC	W F	W PD	TC	SC	W F	W PD	TC	SC	W F	W PD	
5	3	5.19	3.12	1.49	117.3	4.76	3.44	1.36	98.7	5.08	3.26	1.46	112.5	5.37	3.12	1.54	125.9	5.67	2.98	1.63	140.3	
	4	4.99	3.03	1.07	61	4.58	3.33	0.98	51.5	4.9	3.17	1.05	59	5.19	3.03	1.12	66.1	5.45	2.88	1.17	72.9	
	5	4.77	2.92	0.82	35.7	4.36	3.25	0.75	29.9	4.67	3.07	0.8	34.3	4.99	2.92	0.86	39	5.24	4.53	0.9	43.1	
	6	4.56	2.84	0.65	22.6	4.15	3.14	0.6	18.8	4.47	2.96	0.64	21.8	4.78	2.81	0.69	24.9	5.01	2.67	0.72	27.4	
	7	4.33	2.71	0.53	15	3.92	3.07	0.48	12.3	4.23	2.86	0.52	14.4	4.55	2.71	0.56	16.6	4.8	2.56	0.59	18.4	
6	3	4.89	3	1.4	104.4	4.46	3.31	1.28	86.6	4.78	3.13	1.37	99.6	5.09	2.98	1.46	113	5.39	2.84	1.54	126.5	
	4	4.7	2.9	1.01	54.1	4.26	3.2	0.92	44.5	4.59	3.02	0.99	51.6	4.89	2.89	1.05	58.7	5.17	2.75	1.11	65.5	
	5	4.47	2.79	0.77	31.4	4.06	3.11	0.7	25.9	4.38	2.94	0.75	30.1	4.67	2.77	0.8	34.2	4.96	2.64	0.85	38.7	
	6	4.26	2.71	0.61	19.8	3.85	3.01	0.55	16.2	4.16	2.82	0.6	18.9	4.47	2.66	0.64	21.8	4.72	2.53	0.68	24.2	
	7	4.03	2.58	0.5	13	3.61	2.93	0.44	10.5	3.93	2.75	0.48	12.4	4.22	2.57	0.52	14.2	4.5	2.42	0.55	16.3	
7	3	4.57	2.85	1.31	91	4.15	3.18	1.19	75	4.47	3	1.28	87.1	4.8	2.85	1.38	100.4	5.07	2.7	1.45	112	
	4	4.38	2.75	0.94	47.1	3.93	3.11	0.84	37.9	4.26	2.9	0.92	44.6	4.58	2.75	0.98	51.5	4.87	2.61	1.05	58.1	
	5	4.16	2.65	0.72	27.1	3.73	3.01	0.64	21.8	4.07	2.8	0.7	26	4.36	2.63	0.75	29.9	4.63	2.51	0.8	33.7	
	6	3.94	2.58	0.56	16.9	3.51	2.91	0.5	13.4	3.87	2.7	0.55	16.3	4.16	2.53	0.6	18.9	4.42	2.4	0.63	21.3	
	7	3.73	2.46	0.46	11.1	3.28	2.81	0.4	8.6	3.61	2.62	0.44	10.4	3.92	2.45	0.48	12.3	4.19	2.3	0.51	14	
8	3	4.26	2.73	1.22	79.1	3.8	3.07	1.09	63	4.16	2.86	1.19	75.4	4.48	2.7	1.28	87.3	4.76	2.55	1.37	98.9	
	4	4.07	2.64	0.88	40.6	3.61	2.97	0.78	32	3.95	2.8	0.85	38.2	4.26	2.61	0.92	44.5	4.53	2.48	0.97	50.4	
	5	3.86	2.53	0.66	23.4	3.39	2.88	0.58	18	3.75	2.68	0.64	22	4.06	2.52	0.7	25.9	4.34	2.38	0.75	29.6	
	6	3.61	2.45	0.52	14.2	3.17	2.8	0.45	11	3.54	2.58	0.51	13.7	3.85	2.41	0.55	16.2	4.12	2.27	0.59	18.5	
	7	3.4	2.34	0.42	9.3	2.94	2.68	0.36	6.9	3.29	2.5	0.4	8.7	3.61	2.31	0.44	10.4	3.86	2.17	0.47	11.9	
9	3	3.96	2.61	1.13	68.3	3.48	2.95	1	52.9	3.85	2.74	1.1	64.5	4.18	2.57	1.2	76	4.45	2.43	1.27	86.2	
	4	3.74	2.51	0.8	34.2	3.28	2.86	0.7	26.3	3.62	2.65	0.78	32.2	3.93	2.5	0.85	38	4.22	2.34	0.91	43.6	
	5	3.54	2.41	0.61	19.6	3.03	2.8	0.52	14.4	3.42	2.57	0.59	18.4	3.73	2.39	0.64	21.8	4.01	2.24	0.69	25.3	
	6	3.3	2.32	0.47	11.9	2.8	2.71	0.4	8.6	3.18	2.48	0.46	11	3.52	2.28	0.51	13.5	3.8	2.13	0.54	15.7	
	7	3.05	2.21	0.38	7.5	2.61	/	0.32	5.5	2.95	2.37	0.36	7	3.27	2.21	0.4	8.5	3.54	2.04	0.43	10	
10	3	3.63	2.47	1.04	57.4	3.12	2.84	0.9	42.6	3.48	2.64	1	52.9	3.84	2.46	1.1	64.1	4.13	2.3	1.19	74.5	
	4	3.41	2.38	0.73	28.5	2.89	2.78	0.62	20.5	3.29	2.55	0.71	26.5	3.62	2.37	0.78	32.2	3.89	2.21	0.84	37.2	
	5	3.18	2.3	0.55	15.9	2.71	/	0.47	11.5	3.05	2.47	0.52	14.6	3.39	2.27	0.58	18.1	3.69	2.11	0.63	21.4	
	6	2.97	2.2	0.43	9.6	2.57	/	0.37	7.2	2.83	2.37	0.41	8.7	3.17	2.15	0.45	11	3.45	2.01	0.49	13	
	7	2.71	2.11	0.33	5.9	2.41	/	0.3	4.7	2.58	2.28	0.32	5.3	2.91	2.08	0.36	6.8	3.22	1.91	0.4	8.3	

FWH005 (cont.)

11	3	3.28	2.36	0.94	46.8	2.78	/	0.8	33.7	3.16	2.51	0.91	43.5	3.49	2.35	1	53.1	3.8	2.18	1.09	63
	4	3.07	2.28	0.66	23.1	2.64	/	0.57	17.1	2.95	2.42	0.63	21.3	3.28	2.24	0.71	26.4	3.59	2.09	0.77	31.6
	5	2.84	2.19	0.49	12.6	2.51	/	0.43	9.9	2.71	2.36	0.47	11.5	3.05	2.14	0.53	14.6	3.35	1.99	0.58	17.7
	6	2.58	2.1	0.37	7.3	2.36	/	0.34	6.1	2.48	2.26	0.36	6.7	2.82	2.07	0.4	8.7	3.11	1.89	0.45	10.6
	7	2.3	2.03	0.28	4.2	2.22	/	0.27	4	2.22	/	0.27	4	2.55	1.97	0.31	5.2	2.87	1.78	0.35	6.6
12	3	2.93	2.25	0.84	37.5	2.57	/	0.74	28.9	2.79	2.43	0.8	33.9	3.16	2.21	0.91	43.5	3.45	2.06	0.99	52
	4	2.71	2.17	0.58	18.1	2.45	/	0.53	14.7	2.58	2.34	0.55	16.3	2.94	2.13	0.63	21.2	3.25	1.97	0.7	25.9
	5	2.48	2.1	0.43	9.6	2.34	/	0.4	8.6	2.35	2.27	0.4	8.7	2.71	2.06	0.47	11.5	3.01	1.88	0.52	14.3
	6	2.2	2.03	0.32	5.3	2.18	/	0.31	5.2	2.18	2.14	0.31	5.2	2.45	1.97	0.35	6.6	2.76	1.77	0.4	8.3
	7	1.95	/	0.24	3	2.03	/	0.25	3.3	2.01	/	0.25	3.2	2.14	1.87	0.26	3.7	2.51	1.67	0.31	5
13	3	2.56	2.15	0.73	28.6	2.37	/	0.68	24.6	2.41	2.33	0.69	25.4	2.78	2.11	0.8	33.8	3.11	1.94	0.89	42.2
	4	2.34	2.07	0.5	13.5	2.26	/	0.49	12.5	2.26	2.22	0.49	12.5	2.56	2.06	0.55	16.1	2.89	1.85	0.62	20.5
	5	2.09	2.04	0.36	6.9	2.11	/	0.36	7	2.11	/	0.36	7	2.34	1.96	0.4	8.6	2.66	1.76	0.46	11.1
	6	1.9	/	0.27	4	1.97	/	0.28	4.2	1.97	/	0.28	4.2	2.06	1.89	0.3	4.6	2.4	1.67	0.34	6.3
	7	1.74	/	0.21	2.4	1.8	/	0.22	2.6	1.81	/	0.22	2.6	1.81	1.77	0.22	2.6	2.1	1.57	0.26	3.5



Capacity Tables

FWH006																					
E W T	Δt	Air inlet condition																			
		DB:26.7 WB:19.4				DB:27 WB:18				DB:27 WB:19				DB:27 WB:20				DB:29 WB:21			
		TC	SC	W F	W PD	TC	SC	W F	W PD	TC	SC	W F	W PD	TC	SC	W F	W PD	TC	SC	W F	W PD
5	3	5.67	3.42	1.63	130.8	5.2	3.76	1.49	110.1	5.55	3.56	1.59	125.5	5.88	3.41	1.68	140.4	6.2	3.26	1.78	156.5
	4	5.45	3.31	1.17	68	5.01	3.64	1.08	57.4	5.36	3.46	1.15	65.8	5.68	3.31	1.22	73.7	5.96	3.15	1.28	81.3
	5	5.21	3.2	0.9	39.8	4.77	3.56	0.82	33.3	5.11	3.35	0.88	38.3	5.45	3.19	0.94	43.5	5.73	4.95	0.99	48.1
	6	4.98	3.11	0.71	25.3	4.54	3.44	0.65	21	4.89	3.24	0.7	24.3	5.23	3.07	0.75	27.8	5.48	2.92	0.79	30.5
	7	4.74	2.96	0.58	16.8	4.29	3.35	0.53	13.8	4.63	3.13	0.57	16	4.97	2.96	0.61	18.5	5.25	2.8	0.64	20.6
6	3	5.35	3.28	1.53	116.4	4.87	3.62	1.4	96.6	5.23	3.42	1.5	111.1	5.57	3.26	1.6	126.1	5.89	3.11	1.69	141.1
	4	5.14	3.17	1.1	60.4	4.66	3.5	1	49.6	5.02	3.31	1.08	57.6	5.35	3.16	1.15	65.5	5.65	3.01	1.21	73.1
	5	4.89	3.05	0.84	35	4.44	3.4	0.76	28.9	4.79	3.21	0.82	33.6	5.1	3.02	0.88	38.2	5.43	2.89	0.93	43.1
	6	4.66	2.96	0.67	22	4.21	3.29	0.6	18.1	4.55	3.09	0.65	21	4.89	2.91	0.7	24.3	5.16	2.76	0.74	27
	7	4.41	2.83	0.54	14.5	3.95	3.2	0.49	11.7	4.3	3.01	0.53	13.8	4.61	2.81	0.57	15.9	4.93	2.65	0.61	18.1
7	3	5	3.12	1.43	101.5	4.53	3.47	1.3	83.6	4.89	3.28	1.4	97.1	5.25	3.11	1.5	112	5.54	2.95	1.59	124.9
	4	4.79	3.01	1.03	52.5	4.3	3.4	0.92	42.2	4.66	3.17	1	49.7	5.01	3.01	1.08	57.4	5.32	2.86	1.14	64.8
	5	4.55	2.9	0.78	30.3	4.08	3.29	0.7	24.4	4.45	3.06	0.77	29	4.77	2.88	0.82	33.3	5.07	2.74	0.87	37.6
	6	4.31	2.82	0.62	18.9	3.84	3.18	0.55	15	4.23	2.95	0.61	18.2	4.55	2.77	0.65	21.1	4.84	2.62	0.69	23.8
	7	4.08	2.69	0.5	12.4	3.58	3.07	0.44	9.6	3.94	2.86	0.48	11.6	4.28	2.68	0.53	13.7	4.58	2.51	0.56	15.7
8	3	4.66	2.99	1.33	88.2	4.15	3.35	1.19	70.2	4.55	3.13	1.3	84.1	4.89	2.95	1.4	97.4	5.21	2.79	1.49	110.3
	4	4.45	2.88	0.96	45.3	3.95	3.24	0.85	35.7	4.32	3.06	0.93	42.6	4.66	2.86	1	49.6	4.96	2.71	1.07	56.2
	5	4.23	2.76	0.73	26.1	3.71	3.15	0.64	20.1	4.1	2.93	0.7	24.6	4.44	2.75	0.76	28.9	4.75	2.6	0.82	33
	6	3.95	2.68	0.57	15.9	3.47	3.06	0.5	12.2	3.87	2.83	0.55	15.3	4.21	2.63	0.6	18.1	4.51	2.48	0.65	20.7
	7	3.72	2.56	0.46	10.3	3.22	2.93	0.4	7.7	3.6	2.73	0.44	9.7	3.94	2.53	0.48	11.6	4.22	2.38	0.52	13.3
9	3	4.33	2.85	1.24	76.2	3.81	3.22	1.09	59	4.21	2.99	1.21	72	4.57	2.81	1.31	84.8	4.86	2.66	1.39	96.1
	4	4.08	2.75	0.88	38.2	3.58	3.13	0.77	29.4	3.96	2.9	0.85	35.9	4.3	2.73	0.92	42.4	4.61	2.56	0.99	48.6
	5	3.87	2.63	0.66	21.9	3.31	3.06	0.57	16.1	3.74	2.81	0.64	20.5	4.08	2.61	0.7	24.4	4.39	2.45	0.75	28.2
	6	3.61	2.54	0.52	13.2	3.06	2.96	0.44	9.5	3.48	2.72	0.5	12.3	3.85	2.49	0.55	15.1	4.15	2.33	0.6	17.6
	7	3.34	2.41	0.41	8.3	2.86	/	0.35	6.1	3.22	2.59	0.4	7.8	3.57	2.41	0.44	9.5	3.87	2.23	0.47	11.2
10	3	3.97	2.7	1.14	64.1	3.42	3.1	0.98	47.5	3.81	2.88	1.09	59	4.19	2.69	1.2	71.5	4.52	2.52	1.3	83.1
	4	3.72	2.6	0.8	31.7	3.16	3.04	0.68	22.8	3.6	2.79	0.77	29.6	3.96	2.59	0.85	35.9	4.26	2.42	0.92	41.5
	5	3.48	2.52	0.6	17.7	2.96	/	0.51	12.8	3.33	2.7	0.57	16.3	3.71	2.49	0.64	20.2	4.03	2.31	0.69	23.8
	6	3.24	2.41	0.46	10.7	2.81	/	0.4	8	3.1	2.59	0.44	9.7	3.47	2.35	0.5	12.2	3.77	2.2	0.54	14.5
	7	2.96	2.31	0.36	6.6	2.64	/	0.32	5.2	2.82	2.5	0.35	5.9	3.18	2.28	0.39	7.6	3.53	2.09	0.43	9.3

FWH006 (cont.)

11	3	3.58	2.58	1.03	52.2	3.04	/	0.87	37.5	3.45	2.75	0.99	48.6	3.81	2.57	1.09	59.2	4.15	2.38	1.19	70.2
	4	3.36	2.49	0.72	25.8	2.89	/	0.62	19.1	3.22	2.65	0.69	23.8	3.59	2.45	0.77	29.5	3.92	2.29	0.84	35.2
	5	3.1	2.4	0.53	14.1	2.75	/	0.47	11.1	2.96	2.58	0.51	12.8	3.34	2.34	0.57	16.3	3.67	2.18	0.63	19.7
	6	2.83	2.3	0.4	8.1	2.57	/	0.37	6.7	2.72	2.47	0.39	7.5	3.08	2.27	0.44	9.7	3.4	2.07	0.49	11.8
	7	2.52	2.22	0.31	4.7	2.43	/	0.3	4.4	2.43	/	0.3	4.4	2.79	2.15	0.34	5.8	3.13	1.95	0.38	7.3
12	3	3.2	2.46	0.92	41.8	2.81	/	0.81	32.2	3.05	2.65	0.87	37.9	3.45	2.42	0.99	48.6	3.78	2.25	1.08	58
	4	2.97	2.38	0.64	20.1	2.68	/	0.58	16.4	2.82	2.56	0.61	18.2	3.21	2.33	0.69	23.6	3.55	2.15	0.76	28.9
	5	2.71	2.29	0.47	10.8	2.56	/	0.44	9.6	2.57	2.48	0.44	9.7	2.96	2.25	0.51	12.8	3.29	2.05	0.57	15.9
	6	2.41	2.22	0.35	5.9	2.38	/	0.34	5.8	2.38	2.34	0.34	5.8	2.68	2.15	0.38	7.3	3.02	1.94	0.43	9.3
	7	2.13	/	0.26	3.4	2.22	/	0.27	3.7	2.2	/	0.27	3.6	2.34	2.04	0.29	4.1	2.74	1.82	0.34	5.6
13	3	2.8	2.35	0.8	31.9	2.59	/	0.74	27.4	2.64	2.55	0.76	28.3	3.04	2.31	0.87	37.7	3.4	2.13	0.98	47.1
	4	2.56	2.26	0.55	15	2.47	/	0.53	14	2.47	2.43	0.53	14	2.8	2.25	0.6	17.9	3.16	2.02	0.68	22.8
	5	2.29	2.23	0.39	7.7	2.31	/	0.4	7.8	2.31	/	0.4	7.8	2.56	2.14	0.44	9.6	2.91	1.93	0.5	12.4
	6	2.08	/	0.3	4.4	2.15	/	0.31	4.7	2.15	/	0.31	4.7	2.25	2.06	0.32	5.2	2.63	1.82	0.38	7
	7	1.9	/	0.23	2.7	1.97	/	0.24	2.9	1.98	/	0.24	2.9	1.98	1.93	0.24	2.9	2.3	1.72	0.28	4

Capacity Tables

Heating Capacity:

Remark:

Δt : Temperature Difference (°C);

TH: Total Heating Capacity (kW);

WF: Water Flow (m³/h);

WPD: Water Pressure Drop (kPa)

FWC003																										
Air inlet temp. (20 °C DB)																										
Water inlet temp. (°C)																										
Δt	35			40			45			50			55			60			65			70				
	TH	WF	WPD	TH	WF	WPD	TH	WF	WPD	TH	WF	WPD	TH	WF	WPD	TH	WF	WPD	TH	WF	WPD	TH	WF	WPD		
10	1.36	0.12	0.8	2.14	0.18	2	2.96	0.25	3.7	3.73	0.32	6	4.51	0.39	8.7	5.3	0.46	12.1	6.07	0.52	15.8	6.83	0.59	20		
8	1.51	0.16	1.5	2.35	0.25	3.7	3.15	0.34	6.6	3.93	0.42	10.3	4.68	0.5	14.7	5.45	0.59	19.9	6.21	0.67	25.8	6.98	0.75	32.6		
6	1.75	0.25	3.6	2.55	0.37	7.7	3.3	0.47	13	4.1	0.59	20	4.87	0.7	28.3	5.64	0.81	37.8	6.36	0.91	48.1	7.17	1.03	61.1		
FWC004																										
Air inlet temp. (20 °C DB)																										
Water inlet temp. (°C)																										
Δt	35			40			45			50			55			60			65			70				
	TH	WF	WPD	TH	WF	WPD	TH	WF	WPD	TH	WF	WPD	TH	WF	WPD	TH	WF	WPD	TH	WF	WPD	TH	WF	WPD	TH	WF
10	1.73	0.15	0.8	2.71	0.23	2	3.75	0.32	3.9	4.73	0.41	6.2	5.72	0.49	9	6.73	0.58	12.5	7.7	0.66	16.3	8.67	0.75	20.7		
8	1.92	0.21	1.6	2.98	0.32	3.8	3.99	0.43	6.9	4.98	0.54	10.7	5.94	0.64	15.2	6.91	0.74	20.5	7.88	0.85	26.7	8.85	0.95	33.7		
6	2.22	0.32	3.8	3.23	0.46	8	4.19	0.6	13.4	5.2	0.75	20.7	6.18	0.89	29.2	7.15	1.03	39.1	8.06	1.16	49.7	9.09	1.3	63.2		
FWC005																										
Air inlet temp. (20 °C DB)																										
Water inlet temp. (°C)																										
Δt	35			40			45			50			55			60			65			70				
	TH	WF	WPD	TH	WF	WPD	TH	WF	WPD	TH	WF	WPD	TH	WF	WPD	TH	WF	WPD	TH	WF	WPD	TH	WF	WPD	TH	WF
10	2.06	0.18	0.8	3.23	0.28	2	4.47	0.38	3.8	5.64	0.49	6.1	6.82	0.59	9	8.02	0.69	12.4	9.18	0.79	16.2	10.3 3	0.89	20.5		
8	2.28	0.25	1.6	3.56	0.38	3.8	4.76	0.51	6.8	5.94	0.64	10.6	7.08	0.76	15.1	8.24	0.89	20.4	9.39	1.01	26.5	10.5 5	1.13	33.5		
6	2.64	0.38	3.7	3.85	0.55	7.9	4.99	0.72	13.3	6.2	0.89	20.5	7.37	1.06	29	8.53	1.22	38.8	9.61	1.38	49.4	10.8 4	1.55	62.8		
FWC006																										
Air inlet temp. (20 °C DB)																										
Water inlet temp. (°C)																										
Δt	35			40			45			50			55			60			65			70				
	TH	WF	WPD	TH	WF	WPD	TH	WF	WPD	TH	WF	WPD	TH	WF	WPD	TH	WF	WPD	TH	WF	WPD	TH	WF	WPD	TH	WF
10	3.3	0.3	1.8	5.1	0.4	4.4	7.1	0.6	8.4	9	0.8	13.3	10.9	0.9	19.4	12.8	1.1	26.9	14.6	1.3	35.2	16.5	1.4	44.6		
8	3.6	0.4	3.4	5.7	0.6	8.2	7.6	0.8	14.8	9.5	1	23	11.3	1.2	32.7	13.1	1.4	44.3	15	1.6	57.6	16.8	1.8	72.6		

Heating Capacity (cont.)

FWC008																										
Air inlet temp. (20 °C DB)																										
Water inlet temp. (°C)																										
Δt	35			40			45			50			55			60			65			70				
	TH	WF	WP D	TH	WF	WP D	TH	WF	WP D	TH	WF	WP D	TH	WF	WP D	TH	WF	WP D	TH	WF	WP D	TH	WF	WP D		
10	3.9	0.3	1.9	6.1	0.5	4.6	8.5	0.7	8.8	10.7	0.9	14.1	12.9	1.1	20.5	15.2	1.3	28.4	17.4	1.5	37.2	19.6	1.7	47.1		
8	4.3	0.5	3.6	6.7	0.7	8.7	9	1	15.6	11.3	1.1	24.3	13.4	1.4	34.6	15.6	1.7	46.8	17.8	1.9	60.8	20	2.2	76.7		
6	5	0.7	8.6	7.3	1	18.2	9.5	1.4	30.6	11.8	1.7	47.1	14	2	66.6	16.2	2.3	89.1	18.2	2.6	113. 2	20.6	2.9	144		
FWC009																										
Air inlet temp. (20 °C DB)																										
Water inlet temp. (°C)																										
Δt	35			40			45			50			55			60			65			70				
	TH	WF	WP D	TH	WF	WP D	TH	WF	WP D	TH	WF	WP D	TH	WF	WP D	TH	WF	WP D	TH	WF	WP D	TH	WF	WP D	TH	WF
10	4.2	0.4	2	6.6	0.6	5	9.1	0.8	9.6	11.5	1	15.2	13.9	1.2	22.2	16.3	1.4	30.7	18.7	1.6	40.2	21	1.8	51		
8	4.6	0.5	3.9	7.2	0.8	9.4	9.7	1	16.9	12.1	1.2	26.3	14.4	1.5	37.4	16.7	1.8	50.6	19.1	2.1	65.9	21.4	2.3	83.1		
6	5.4	0.8	9.3	7.8	1.1	19.7	10.1	1.5	33.1	12.6	1.6	51	15	2.1	72.1	17.3	2.5	96.5	19.5	2.8	122. 5	22	3.2	155. 9		
FWC010																										
Air inlet temp. (20 °C DB)																										
Water inlet temp. (°C)																										
Δt	35			40			45			50			55			60			65			70				
	TH	WF	WP D	TH	WF	WP D	TH	WF	WP D	TH	WF	WP D	TH	WF	WP D	TH	WF	WP D	TH	WF	WP D	TH	WF	WP D	TH	WF
10	4.7	0.4	2.4	7.4	0.6	5.9	10.2	0.9	11.2	12.8	1.1	17.9	15.5	1.3	26.1	18.3	1.6	36.2	20.9	1.8	47.3	23.5	2	60		
8	5.2	0.6	4.6	8.1	0.9	11.1	10.8	1.2	19.9	13.5	1.3	31	16.1	1.7	44	18.7	2	59.6	21.4	2.3	77.5	24	2.6	97.7		
6	6	0.9	10.9	8.8	1.3	23.2	11.4	1.6	38.9	14.1	1.7	60	16.8	2.4	84.8	19.4	2.8	113. 5	21.9	3.1	144. 2	24.7	3.5	183. 4		
FWC012																										
Air inlet temp. (20°C DB)																										
Water inlet temp. (°C)																										
Δt	35			40			45			50			55			60			65			70				
	TH	WF	WP D	TH	WF	WP D	TH	WF	WP D	TH	WF	WP D	TH	WF	WP D	TH	WF	WP D	TH	WF	WP D	TH	WF	WP D	TH	WF
10	5.9	0.5	3.3	9.3	0.8	8	12.9	1.1	15.4	16.3	1.4	24.5	19.7	1.7	35.8	23.2	2	49.5	26.5	2.3	64.8	29.8	2.6	82.2		
8	6.6	0.7	6.3	10.3	1.1	15.2	13.7	1.5	27.3	17.1	1.7	42.4	20.4	2.2	60.3	23.8	2.6	81.6	27.1	2.9	106. 2	30.5	3.3	133. 9		
6	7.6	1.1	15	11.1	1.6	31.7	14.4	2.1	53.3	17.9	2.3	82.2	21.3	3.1	116. 2	24.6	3.5	155. 5	27.7	4	197. 5	31.3	4.5	251. 3		

Capacity Tables

Heating Capacity (cont.)

FWC015																								
Air inlet temp. (20°C DB)																								
Water inlet temp. (°C)																								
Δt	35			40			45			50			55			60			65			70		
	TH	WF	WP D	TH	WF	WP D	TH	WF	WP D	TH	WF	WP D	TH	WF	WP D	TH	WF	WP D	TH	WF	WP D	TH	WF	WP D
10	6	0.5	2	9.4	0.8	4.9	13	1.1	9.4	16.4	1.4	15	19.8	1.7	21.9	23.3	2	30.3	26.6	2.3	39.6	30	2.6	50.2
8	6.6	0.7	3.8	10.3	1.1	9.3	13.8	1.5	16.7	17.2	1.9	25.9	20.6	2.2	36.9	23.9	2.6	49.9	27.3	2.9	64.9	30.6	3.3	81.8
6	7.7	1.1	9.1	11.2	1.6	19.4	14.5	2.1	32.6	18	2.6	50.2	21.4	3.1	71	24.8	3.5	95	27.9	4	120. 7	31.5	4.5	153. 5
FWH002																								
Air inlet temp. (20°C DB)																								
Water inlet temp. (°C)																								
Δt	35			40			45			50			55			60			65			70		
	TH	WF	WP D	TH	WF	WP D	TH	WF	WP D	TH	WF	WP D	TH	WF	WP D	TH	WF	WP D	TH	WF	WP D	TH	WF	WP D
10	1	0.09	0.6	1.57	0.14	1.5	2.18	0.19	2.8	2.75	0.24	4.4	3.32	0.29	6.5	3.91	0.34	9	4.47	0.38	11.7	5.03	0.43	14.9
8	1.11	0.12	1.1	1.73	0.19	2.8	2.32	0.25	4.9	2.89	0.31	7.7	3.45	0.37	10.9	4.01	0.43	14.8	4.58	0.49	19.2	5.14	0.55	24.2
6	1.29	0.18	2.7	1.88	0.27	5.7	2.43	0.35	9.6	3.1	0.43	14.9	3.59	0.51	21	4.15	0.6	28.1	4.68	0.67	35.7	5.28	0.76	45.4
FWH003																								
Air inlet temp. (20°C DB)																								
Water inlet temp. (°C)																								
Δt	35			40			45			50			55			60			65			70		
	TH	WF	WP D	TH	WF	WP D	TH	WF	WP D	TH	WF	WP D	TH	WF	WP D	TH	WF	WP D	TH	WF	WP D	TH	WF	WP D
10	1.22	0.11	1	1.92	0.16	2.4	2.65	0.23	4.5	3.35	0.29	7.2	4.05	0.35	10.6	4.76	0.41	14.6	5.45	0.47	19.1	6.13	0.53	24.2
8	1.36	0.15	1.8	2.11	0.23	4.5	2.83	0.3	8	3.53	0.38	12.5	4.2	0.45	17.8	4.89	0.53	24.1	5.58	0.6	31.3	6.26	0.67	39.5
6	1.57	0.23	4.4	2.29	0.33	9.4	2.96	0.42	15.7	3.78	0.53	24.2	4.37	0.63	34.2	5.06	0.73	45.8	5.7	0.82	58.2	6.43	0.92	74.1
FWH004																								
Air inlet temp. (20°C DB)																								
Water inlet temp. (°C)																								
Δt	35			40			45			50			55			60			65			70		
	TH	WF	WP D	TH	WF	WP D	TH	WF	WP D	TH	WF	WP D	TH	WF	WP D	TH	WF	WP D	TH	WF	WP D	TH	WF	WP D
10	1.44	0.12	1.2	2.26	0.19	2.9	3.13	0.27	5.6	3.95	0.34	8.9	4.78	0.41	12.9	5.61	0.48	17.9	6.42	0.55	23.4	7.23	0.62	29.7
8	1.6	0.17	2.3	2.49	0.27	5.5	3.33	0.36	9.8	4.16	0.45	15.3	4.96	0.53	21.8	5.77	0.62	29.5	6.58	0.71	38.3	7.39	0.79	48.3
6	1.85	0.27	5.4	2.7	0.39	11.4	3.5	0.5	19.2	4.41	0.62	29.7	5.16	0.74	41.9	5.97	0.86	56.1	6.73	0.96	71.3	7.59	1.09	90.7

Heating Capacity (cont.)

FWH005																								
Air inlet temp. (20 °C DB)																								
Water inlet temp. (°C)																								
Δt	35			40			45			50			55			60			65			70		
	TH	WF	WP D	TH	WF	WP D	TH	WF	WP D	TH	WF	WP D	TH	WF	WP D	TH	WF	WP D	TH	WF	WP D	TH	WF	WP D
10	1.89	0.16	1.4	2.96	0.25	3.4	4.11	0.35	6.6	5.18	0.45	10.4	6.26	0.54	15.3	7.36	0.63	21.1	8.42	0.72	27.6	9.48	0.82	35
8	2.1	0.23	2.7	3.26	0.35	6.5	4.37	0.47	11.6	5.45	0.59	18.1	6.5	0.7	25.7	7.56	0.81	34.8	8.62	0.93	45.2	9.68	1.04	57
6	2.43	0.35	6.4	3.53	0.51	13.5	4.58	0.66	22.7	5.75	0.82	35	6.76	0.97	49.5	7.83	1.12	66.2	8.82	1.26	84.1	9.95	1.43	107
FWH006																								
Air inlet temp. (20 °C DB)																								
Water inlet temp. (°C)																								
Δt	35			40			45			50			55			60			65			70		
	TH	WF	WP D	TH	WF	WP D	TH	WF	WP D	TH	WF	WP D	TH	WF	WP D	TH	WF	WP D	TH	WF	WP D	TH	WF	WP D
10	2.09	0.18	1.5	3.28	0.28	3.8	4.55	0.39	7.3	5.73	0.49	11.6	6.93	0.6	17	8.15	0.7	23.5	9.33	0.8	30.8	10.5	0.9	39
8	2.32	0.25	3	3.61	0.39	7.2	4.84	0.52	12.9	6.04	0.65	20.1	7.2	0.77	28.6	8.37	0.9	38.7	9.55	1.03	50.4	10.7 2	1.15	63.5
6	2.69	0.39	7.1	3.91	0.56	15.1	5.07	0.73	25.3	6.38	0.9	39	7.49	1.07	55.1	8.66	1.24	73.8	9.77	1.4	93.7	11.0 1	1.58	119. 2



Trane optimizes the performance of homes and buildings around the world. A business of Ingersoll Rand, the leader in creating and sustaining safe, comfortable and energy efficient environments, Trane offers a broad portfolio of advanced controls and HVAC systems, comprehensive building services, and parts. For more information, visit www.Trane.com.